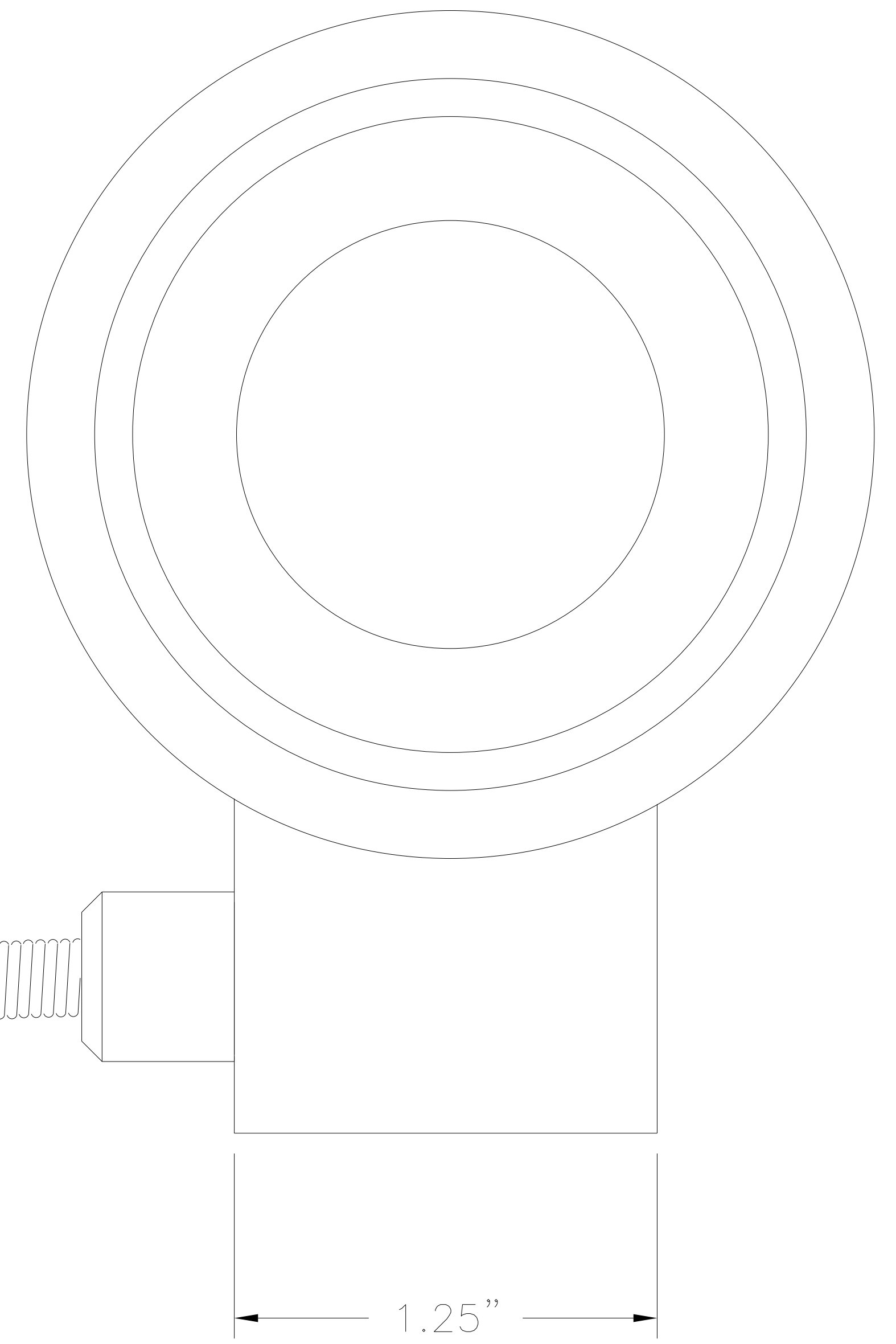


UNAMPLIFIED	
COLOR	DESIGNATION
RED	(+)EXCITATION
BLACK	(-)EXCITATION
GREEN	(-)OUTPUT
WHITE	(+)OUTPUT

4 CONDUCTOR, COLOR CODED,
20 AWG.,TEFLON JACKETED CABLE
5 FEET LONG,
W/ SPRING STRAIN RELIEF



ALL DIMENSIONS IN INCHES

AVAILABLE CAPACITY: 75 K , 100 K LBS.
 OUTPUT: 2 mV/V NOMINAL
 POSITIVE IN COMPRESSION
 ZERO BAL: €1% F.S.
 LINEARITY: 0.25% F.S.
 HYSTERESIS: 0.25% F.S.
 SPAN TEMP. COMPENSATION: .005% Rdg./i7F
 ZERO TEMP. COMPENSATION: .005% F.S./?F
 BRIDGE RESISTANCE: 350 Ω
 EXCITATION: 10 VDC
 MATERIAL: 17-4 P.H. STAINLESS STEEL

REV	DESCRIPTION	REVISED BY	APPROV. RELEASE
SCALE: NONE	DRAWN 9JAN96 JB	CHECKED:	APPROVED: RJG 1/10/96
SENSOTEC 1200 CHESAPEAKE AVE. COLUMBUS, OHIO 43212			
.X	OUTLINE DRAWING for P/N 060-1589-XX MODEL TH LOAD CELL W/ CABLE		
.XX ±.01	DOCUMENT NUMBER 000-3046-00		
.XXX ±.005			
±1/2"	SHEET 1 OF 1		