

HONEYWELL
PART NUMBER
-

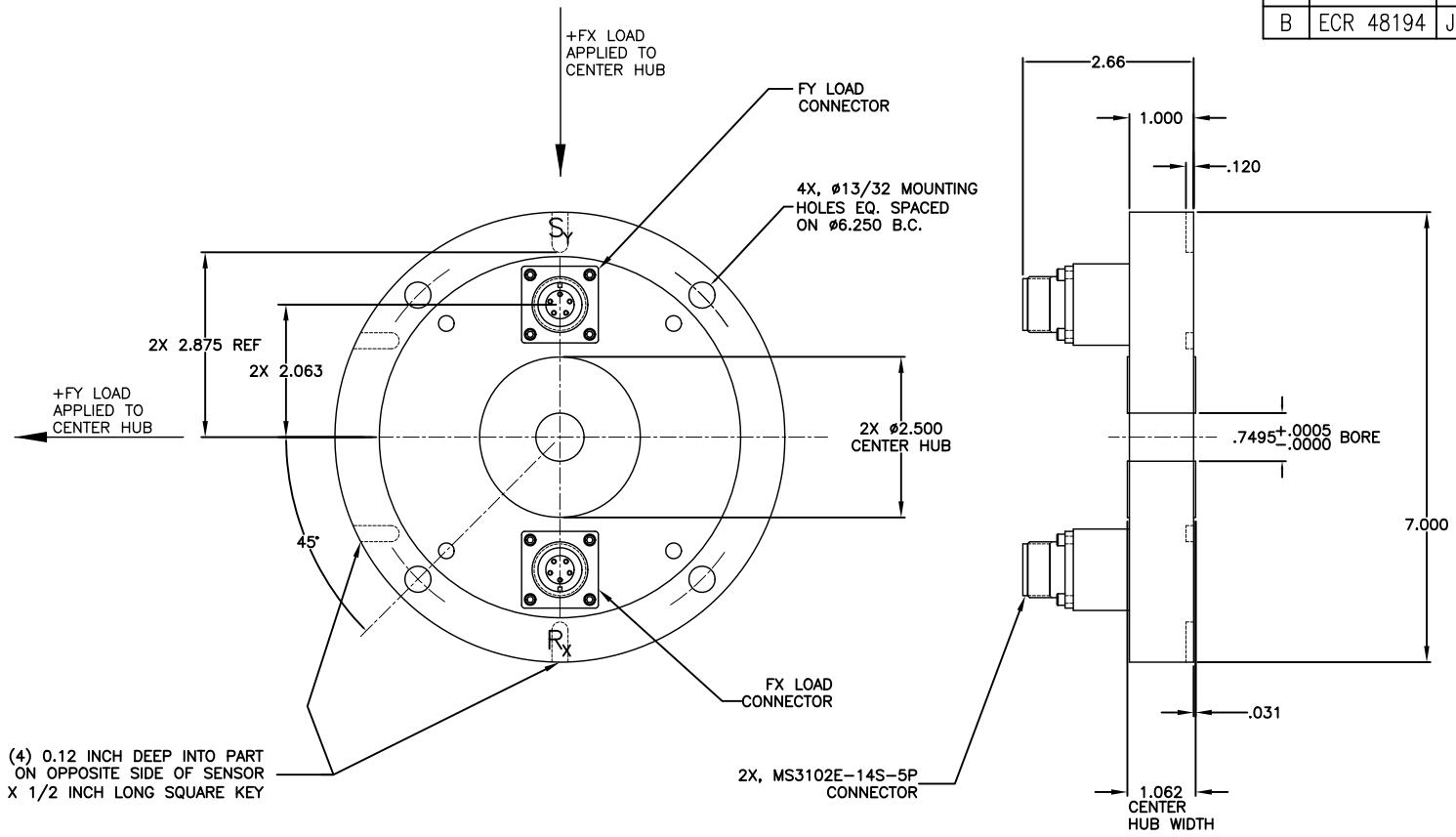
REV	DOCUMENT	CHANGED BY	CHECK
B	ECR 48194	JDS 06/22/2010	AJK

B

A

B

A



SPECIFICATIONS

- EXCITATION: 20 V MAX
- OUTPUT: 2.0 mV/V +/- 0.25%
- NONLINEARITY: ±.10% F.S.
- HYSTERESIS: ±.10% F.S.
- COMPENSATED TEMPERATURE RANGE: +70°F TO +170°F
- USABLE TEMPERATURE RANGE: -65°F TO +200°F
- TEMPERATURE EFFECT ON ZERO: .002% F.S./°F
- TEMPERATURE EFFECT ON SPAN: .002% F.S./°F
- BRIDGE RESISTANCE: 350 OHMS
- MATERIAL: 4340 STEEL, NICKEL PLATED
- CROSS TALK: ≤ 1% F.S.
- SAFE OVERLOAD: 150%

UNAMP (NS) 5-PIN, 4-COND

PIN	DESIGNATION
A	(-) OUTPUT
B	(+) EXCITATION
C	(-) EXCITATION
D	(+) OUTPUT
E	N/C

SPECIFICATIONS	STANDARD CAPACITIES				
	2K/1K	2K/500	1.5K/500	1000/500	
RADIAL (X-AXIS) LOAD CAPACITY:	2000 LB	2000 LB	1500 LB	1000 LB	
SIDE (Y-AXIS) LOAD CAPACITY:	1000 LB	500 LB	500 LB	500 LB	

DESIGN UNITS: INCH
TOLERANCES UNLESS NOTED:
NO PLACES X ± -
ONE PLACE .X ± .1
TWO PLACE .XX ± .01
THREE PLACE .XXX ± .005
ANGLES X ± .5°
THIRD ANGLE PROJECTION

DRAWN	MORRIS	08/10/2007
CHECK	AJK	08/22/2007
THIS DRAWING COVERS A PROPRIETARY ITEM AND IS THE PROPERTY OF HONEYWELL. THIS DRAWING IS NOT TO BE COPIED OR USED WITHOUT THE PERMISSION OF HONEYWELL.		
INTERPRET PER ASME Y14.5M-1994 OTHER HONEYWELL ENGINEERING STANDARDS MAY APPLY		
AUTOCAD		

Honeywell				
TITLE 6443 X-Y FORCE SENSOR 7" STANDARD, 0.750 BEARING BORE				
SIZE	TYPE	CAGE CODE	DRAWING NAME	REV
B	E	51518	000-LW6443	B
SCALE	-			SHEET 1 of 1