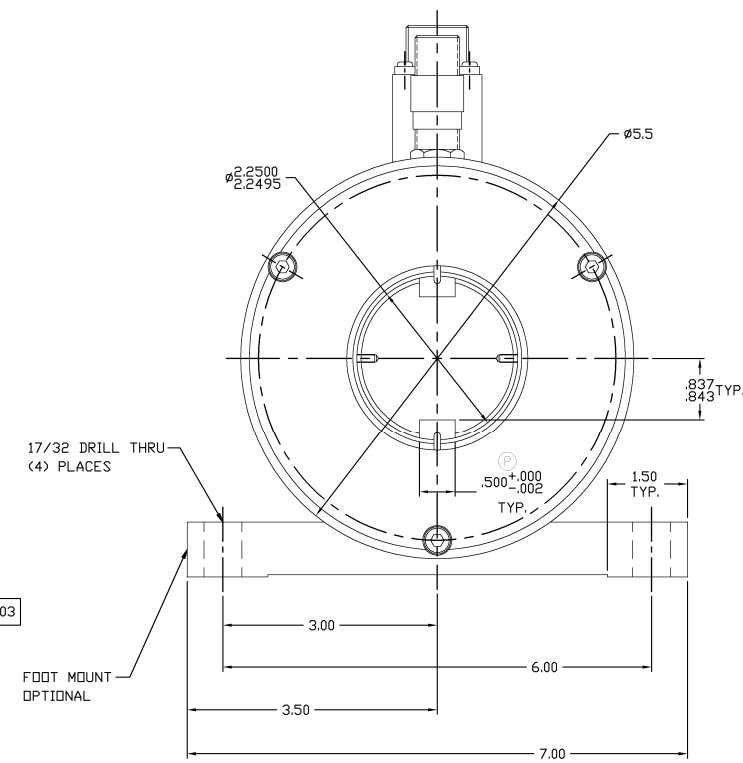
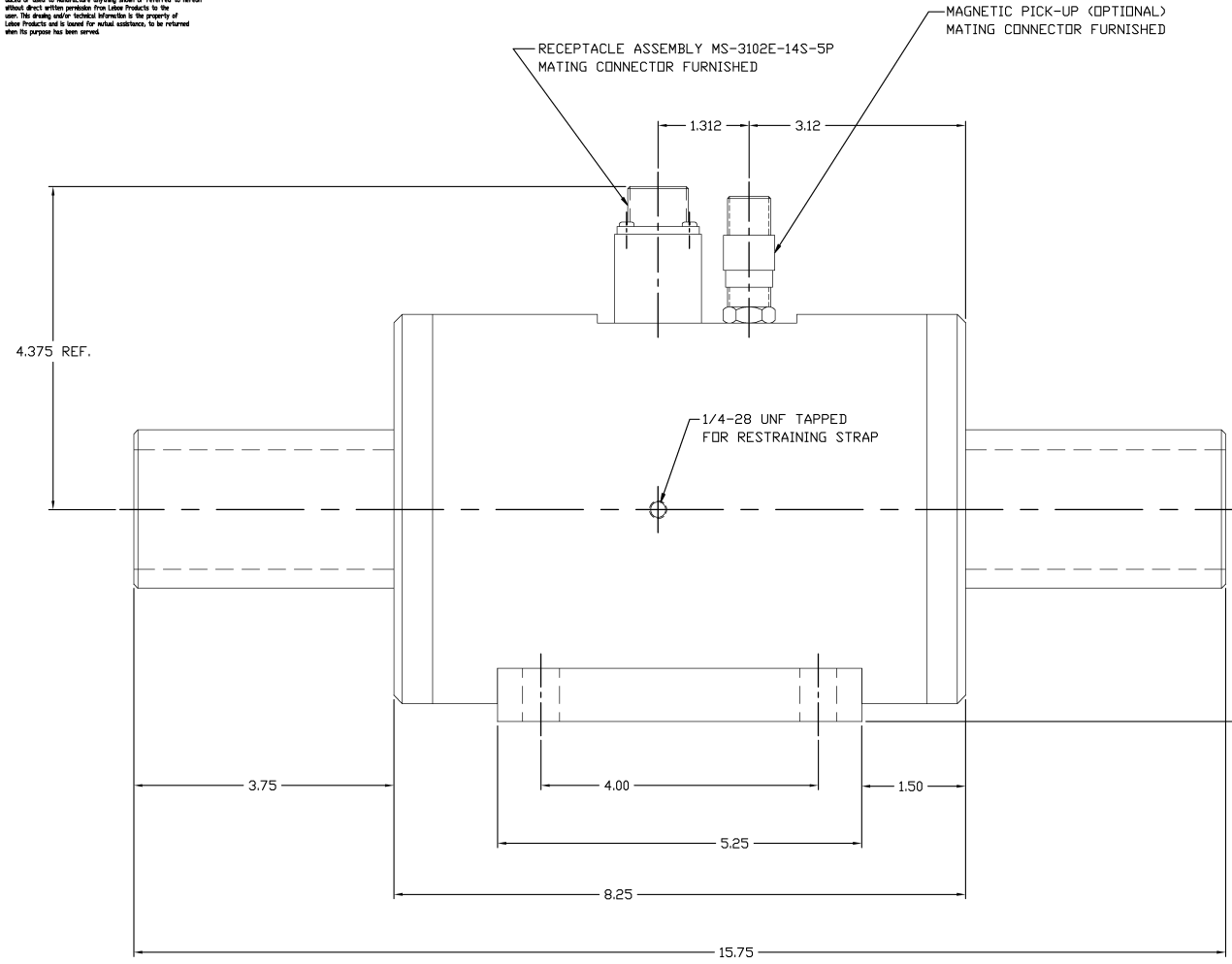


\*NOTICE TO PERSONS RECEIVING THIS DRAWING AND/OR TECHNICAL INFORMATION\*  
 Lebow Products takes proprietary rights in the artwork disclosed herein. This drawing and/or technical information is issued in confidence for engineering information only and may not be reproduced or used to manufacture anything shown or referred to herein without direct written permission from Lebow Products to the user. This drawing and/or technical information is the property of Lebow Products and is loaned for mutual assistance, to be returned when its purpose has been served.

DO NOT SCALE DRAWING  
 ALL CHANGES TO DRAWING MUST BE DONE ON CAD  
 D-1606-D REV.  
 THIRD ANGLE PROJECTION



1606-20K	20,000 LB. IN.	300%
1606-10K	10,000 LB. IN.	300%
1606-5K	5,000 LB. IN.	300%
MODEL	CAPACITY	OVERLOAD CAP.

REV. NO.	PART NO.	DESCRIPTION	REV.
		Lebow Products Troy, Michigan	
UNLESS OTHERWISE SPECIFIED LINEAR DIMENSIONS ARE IN INCHES ANGULAR DIMENSIONS ARE IN DEGREES DIMENSION LIMITS HELD AFTER PLATING REMOVE ALL BURRS & SHARP EDGES SURFACE FINISH 125 $\checkmark$			
REVISIONS		TOLERANCES	DR BY: SM DATE: 4/20/79
DATE	APPR'D	DRILLED HOLES +000 +007	DRKS BY: TA DATE: -
CF	CHK'D	TWO PLACE DECIMALS ± .005	DATE: -
ECN NO.	SYM.	THREE PLACE DECIMALS ± .002	SCALE: NONE
		ANGLES ± 1 30'	REF. DIM. D-27623
		FRACTIONAL DIMENSIONS 1/16	DATE: 1606
			TITLE: D.D. DRAWING
			DRAWING NO: D-1606-D