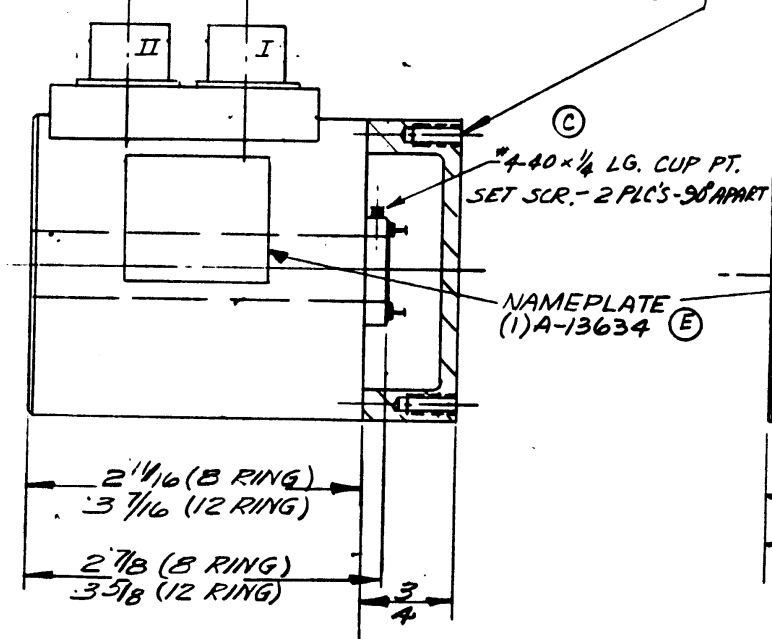
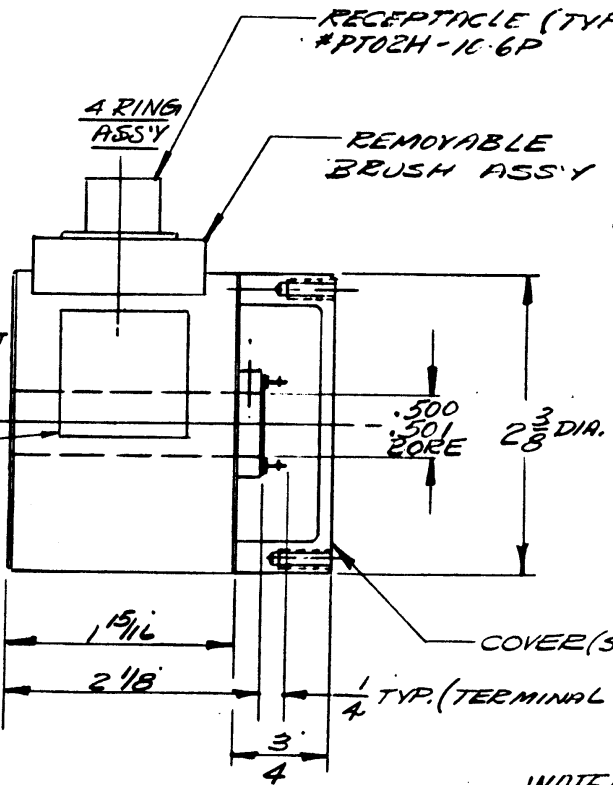


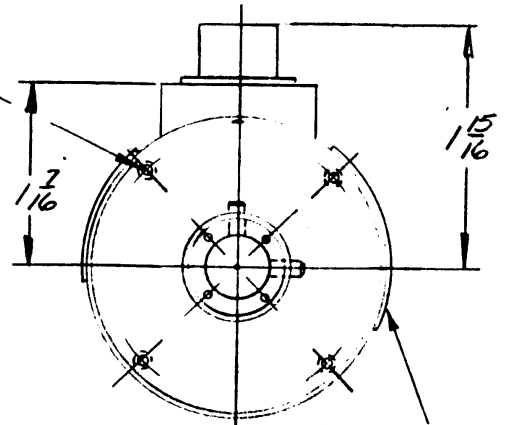
#10-24 UNC $\frac{3}{8}$ DP
 2 HOLES EQ SPACED ON
 8 & 12 RING ASSY
 2.000 DIA. B.C.
 (FOR RESTRAINING UNIT)



RECEPTACLE (TYP)
 #PT02H-10-6P



#4-40 UNC TAP $\frac{1}{4}$ DP
 4 HOLES EQ. SPACED ON
 2.125 DIA. B. C - BOTH ENDS.
 (USED AT TERMINAL END FOR COVER MTK)



END VIEW W/O COVER

(E) WARNING LABEL (1) A-30439

WATER PROOF ASS'Y
 MAX. SPEED ~ 8000 R.P.M.

12 RING

8 RING

4 RING

SHAFT PIN#	RECEPT. & PIN LETTER	SHAFT PIN#	RECEPT. & PIN LETTER	SHAFT PIN	RECEPT. PIN
1	A	1	A	1	B
2	B	2	B	2	C
3	C	3	C	3	A
4	D	4	D	4	D
5	E				
6	F				
7	A	5	A		
8	B	6	B		
9	C	7	C		
10	D	8	D		
11	E				
12	F				

(D)

SYN.	REVISION	DATE
E	NAME PLATE & WARNING LABEL NOT SHOWN. ECN 3407	3/19/86
D	WAS CADD ECN 3276	1/6/83
C	ADDED SET SCR F.Z.	8-13-74
B	ADDED CHART T.A.	1/29/72
A	ECN 2050 REDRAWN W/AS "A" SIZE	6-9-72

DET. No	PART No	DESCRIPTION	REQ'D
		INSTALLATION DWG SLIP RING ASS'Y	
SCALE: FULL	DRAWN BY: [Signature]	REF. DWG: B-18578	MAT'L: [Blank]
DATE: 6-9-72	CHK'D BY: [Signature]	MODEL: 6118-112	JOB NO. [Blank]
TOLERANCE ON FRACTIONS ± 1/64			
TOLERANCE ON DRILLED HOLES ± .007			
TWO PLACE DECIMALS ± .010			
THREE PLACE DECIMALS ± .005			
ANGLES ± 0°30'			
TOLERANCE ALL BURRS & SHARP EDGES REMOVE			
DIMENSION LIMITS HELD AFTER PLATING			
SURFACE FINISH 125√			
LEBOW ASSOCIATES, INC. TROY, MICHIGAN			DRAWING NO. B-18579