

# Product Data Sheet

## Product Datasheet

### T3SF Sulfur Dioxide Transmitter

#### Document Purpose

The purpose of this document is to present the performance specification of the T3SF transmitter.

This document should be used in conjunction with Operating Principles (OP12) and the Product Safety Datasheet (PSDS 2).

The data provided in this document are valid at 20°C, 50% RH and 1013 mBar for 3 months from the date of sensor manufacture. For guidance on sensor performance outside of these limits, please refer to the Operating Principles.

Output signal can drift below the lower limit over time. For guidance on the safe use of the sensor, please refer to the Operating Principles.

# Product Data Sheet

## Key Features & Benefits

- Robust 3-Series packaging
- Industry standard 4-20 mA output

## Technical Specifications

### MEASUREMENT

<b>Sensor Type Used</b>	3SF
<b>Filter</b>	None
<b>Output</b>	4-20 mA d.c.
<b>Response Time (T<sub>90</sub>)*</b>	<30 Seconds at 20°C
<b>Resolution</b>	1 ppm
<b>Zero Shift (-20°C to +40°C)</b>	<5 ppm equivalent
<b>Repeatability</b>	1% of signal
<b>Linearity</b>	Linear

### ELECTRICAL

<b>Power Supply Required</b>	10 - 35 VDC single-ended
<b>Output Impedance</b>	4 MΩ
<b>Calibration</b>	Via built-in span and zero potentiometers

### MECHANICAL

<b>Mounting</b>	Via mounting nose supplied
<b>Weight</b>	58 g including mounting accessory
<b>Position Sensitivity</b>	None

### ENVIRONMENTAL

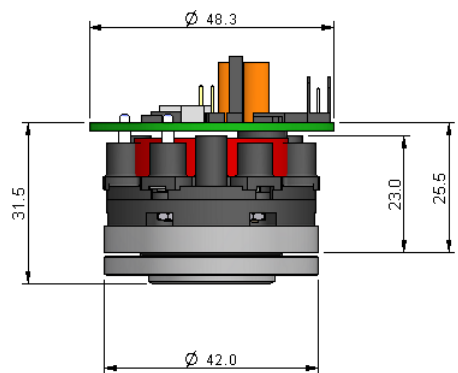
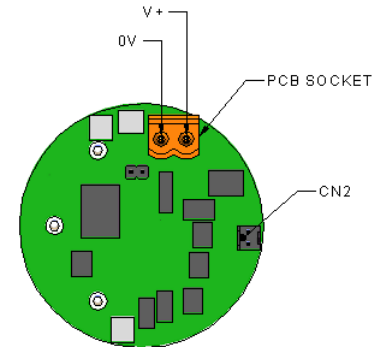
<b>Operating Temperature Range</b>	-20°C to +50°C
<b>Recommended Storage Temp</b>	0°C to 20°C
<b>Temperature Compensation</b>	None
<b>Operating Pressure Range</b>	Atmospheric ± 10%
<b>Pressure Coefficient</b>	0.004% signal/mBar
<b>Operating Humidity Range</b>	15 - 90% RH non-condensing

### LIFETIME

<b>Long Term Sensitivity Drift*</b>	<2% signal loss/month
<b>Expected Operating Life</b>	Two years in air
<b>Storage Life</b>	6 months in CTL container
<b>Standard Warranty</b>	12 months from date of despatch

\* Specifications are valid at 20°C, 50% RH and 1013 mBar, using City Technology recommended circuitry. Performance characteristics outline the performance of sensors supplied within the first 3 months. Output signal can drift below the lower limit over time.

## Product Dimensions



All dimensions in mm  
All tolerances ±0.15 mm unless otherwise stated

## RANGES AVAILABLE

T3SF Transmitters are available with the following precalibrated ranges, but can be recalibrated to intermediate ranges.

Range	Order Code
0-200 ppm	TD3G-1A
0-300 ppm	TD3H-1A
0-500 ppm	TD3I-1A
0-1000 ppm	TD3J-1A
0-2000 ppm	TD3K-1A

# Product Data Sheet

## Poisoning

CiTiceLs are designed for operation in a wide range of environments and harsh conditions. However, it is important that exposure to high concentrations of solvent vapours is avoided, both during storage, fitting into instruments and operation.

When using sensors with printed circuit boards (PCBs), degreasing agents should be used before the sensor is fitted. Do not glue directly on or near the CiTiceL as the solvent may cause crazing of the plastic.

## Cross Sensitivity Table

Whilst CiTiceLs are designed to be highly specific to the gas they are intended to measure, they will still respond to some degree to various other gases. The table below is not exclusive and other gases not included in the table may still cause a sensor to react.

**IMPORTANT NOTE : The cross sensitivity data shown below does not form part of the product specification and is supplied for guidance only. Values quoted are based on tests conducted on a small number of sensors and any batch may show significant variation. For the most accurate measurements, an instrument should be calibrated using the gas under investigation.**

Gas	3SF Cross Sensitivity (% with respect to SO <sub>2</sub> )
Sulfur Dioxide, SO <sub>2</sub>	100
Carbon Monoxide, CO	<3
Hydrogen Sulfide, H <sub>2</sub> S	≈ 200
Nitric Oxide, NO	0
Nitrogen Dioxide, NO <sub>2</sub>	≈ -125
Hydrogen, H <sub>2</sub>	<3
Hydrogen Chloride, HCl	≈ 15

### **SAFETY NOTE**

This sensor is designed to be used in safety critical applications. To ensure that the sensor and/or instrument in which it is used, are operating properly, it is a requirement that the function of the device is confirmed by exposure to target gas (bump check) before each use of the sensor and/or instrument. Failure to carry out such tests may jeopardize the safety of people and property.

Every effort has been made to ensure the accuracy of this document at the time of printing. In accordance with the company's policy of continued product improvement City Technology Limited reserves the right to make product changes without notice. The products are always subject to a programme of improvement and testing which may result in some changes in the characteristics quoted. As the products may be used by the client in circumstances beyond the knowledge and control of City Technology Limited, we cannot give any warranty as to the relevance of these particulars to an application. It is the clients' responsibility to carry out the necessary tests to determine the usefulness of the products and to ensure their safety of operation in a particular application.