

## Installation Instructions for the BF Series Plastic Enclosed Switches

ISSUE 3

PK 88270

### CONDUIT SEAL

Sealed to NEMA 1, 3, 4 and 13 standards. Apply pipe dope or Teflon tape to threads at conduit.

### NOTICE

Do not mount switch at low point in conduit runs or with conduit opening facing up, to prevent possible moisture condensation.

### TORQUE

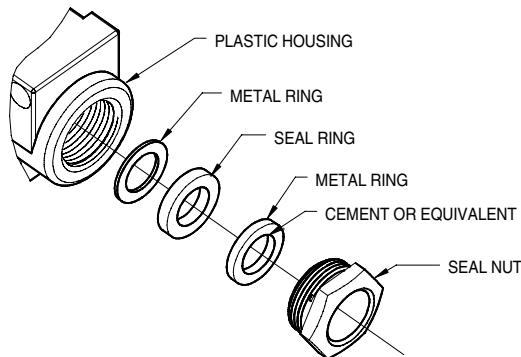
Do not tighten over 8 ft. lbs. (10,85 N m). Enclosure may crack.

### SEALING

Sealing packets are available from MICRO SWITCH for use with the 1/2-14 NPT conduit opening.

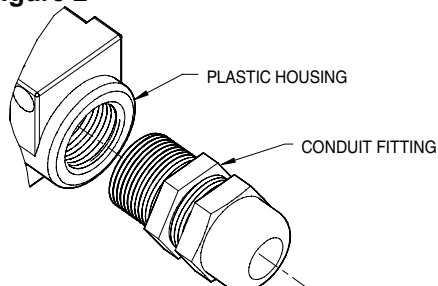
Packet (for use with 1/2-14 NPT)	Cable O.D. In. (mm)
2PA6	.400 - .435 (10,2 - 11,05)
2PA16	.435 - .470 (11,05 - 11,90)
2PA1	.530 - .570 (13,5 - 14,5)

Figure 1



Packet	Cable O.D. In. (mm)
2PA17	.170 - .470 (4,3 - 11,9)

Figure 2



### WIRING

- #12AWG to #20AWG solid or stranded wire
  - Spades - up to .312 wide
  - Rings - up to .312 dia.
  - Form C 1 NO-1 NC SPDT basic switch
  - Plastic enclosure. No grounding needed.
  - Pressure plate wire clamps.
  - Terminal identification on bottom of enclosure
- Use pre-insulated connectors or heat shrinkable tubing with spade or ring type connectors to insulate between terminals. Excess wire should be placed in the pocket between the terminals and conduit opening.

### ACTUATOR ADJUSTMENT

Lever type actuators (actuator code L) are adjustable in two directions - around mounting bushing and lever angle.

To rotate the actuator: lift seal boot off actuator mounting nut. Loosen mounting nut enough to move actuator. Rotate into desired position, and tighten mounting nut. Reassemble seal boot, taking care it is securely seated in mounting nut groove.

To adjust lever angle: loosen hex nut. Adjust lever to desired position, tighten nut.

### ⚠ WARNING

#### IF USED IN APPLICATIONS CONCERNING HUMAN SAFETY

- Only use NC direct opening ("positive opening"/"positive break") contacts, identified by the symbol.
- Do NOT use flexible/adjustable actuators. Only use actuators designed for safety applications
- Do NOT defeat, tamper, remove, or bypass this switch.
- Hazardous voltage, disconnect power before servicing.
- Strictly adhere to all installation and maintenance instructions.
- Consult with local safety agencies and their requirements when designing a machine-control link, interface and all control elements that affect safety.

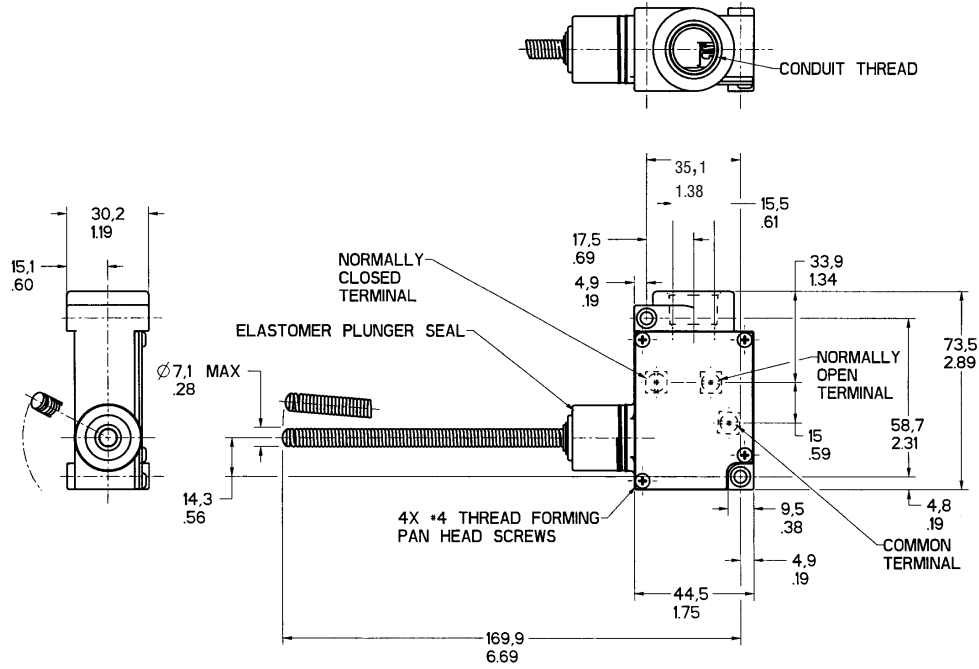
**Failure to comply with these instructions could result in death or serious injury.**

# BF Series Plastic Enclosed Switches

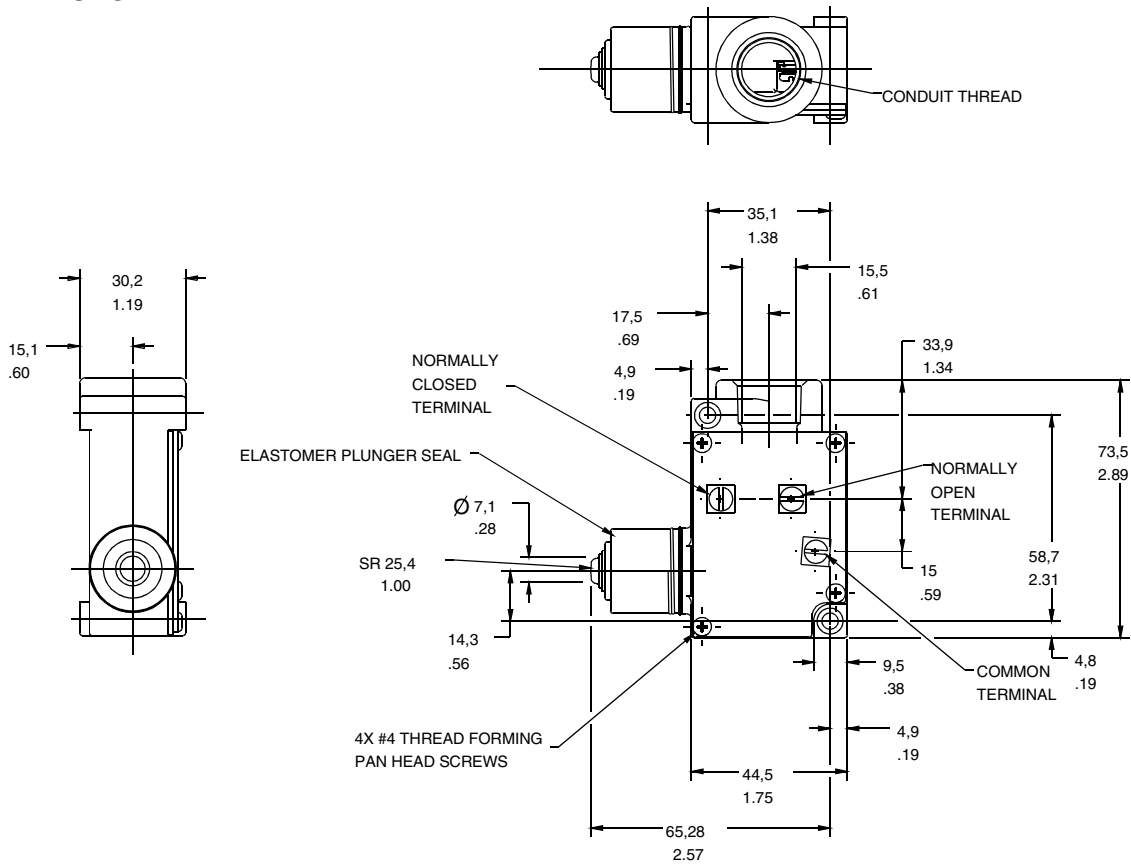
PK 88270

MOUNTING DIMENSIONS (for reference only)

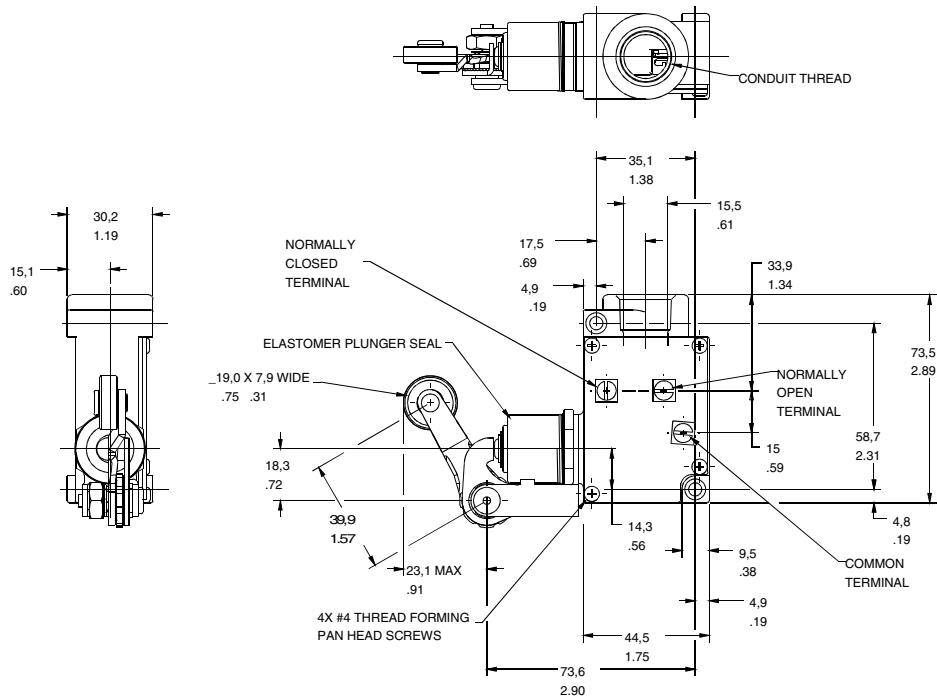
## COIL SPRING WOBBLE LEVER



## PIN PLUNGER



## ROLLER LEVER



### MOUNTING

Most BF Series switches mount with two (2) #6 screws through the two diametrically opposed mounting holes in the switch housing. They may be mounted with the cover facing the mounting surface or facing away. Mounting holes are outside switch enclosure, so mounting screws do not need to be sealed.

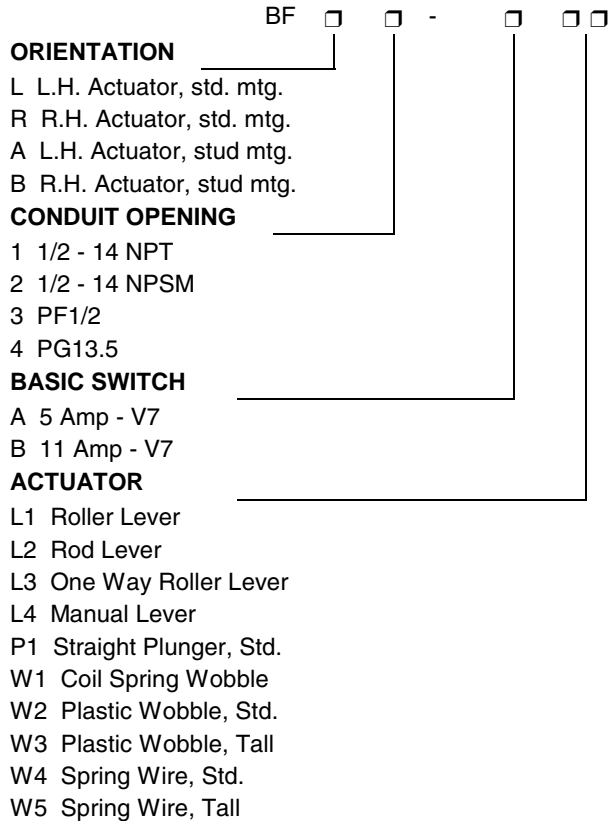
BF Series switches may be wired after mounting if they are mounted with cover facing away from the mounting surface.

Cover stud mounting option for replacing BZE6 switches

### NOTICE

Do not over-tighten the mounting screws. Lock washers or prevailing torque fasteners are recommended.

### SWITCH IDENTIFICATION



## WARRANTY/REMEDY

Honeywell warrants goods of its manufacture as being free of defective materials and faulty workmanship. Contact your local sales office for warranty information. If warranted goods are returned to Honeywell during the period of coverage, Honeywell will repair or replace without charge those items it finds defective. **The foregoing is Buyer's sole remedy and is in lieu of all other warranties, expressed or implied, including those of merchantability and fitness for a particular purpose.**

Specifications may change without notice. The information we supply is believed to be accurate and reliable as of this printing. However, we assume no responsibility for its use.

While we provide application assistance personally, through our literature and the Honeywell web site, it is up to the customer to determine the suitability of the product in the application.

For application assistance, current specifications, or name of the nearest Authorized Distributor, contact a nearby sales office. Or call:

1-800-537-6945 USA/Canada  
1-815-235-6847 International

### FAX

1-815-235-6545 USA

### INTERNET

[www.honeywell.com/sensing](http://www.honeywell.com/sensing)  
[info.sc@honeywell.com](mailto:info.sc@honeywell.com)

---

**Honeywell**

**Sensing and Control**  
**[www.honeywell.com/sensing](http://www.honeywell.com/sensing)**

Honeywell  
11 West Spring Street  
Freeport, Illinois 61032