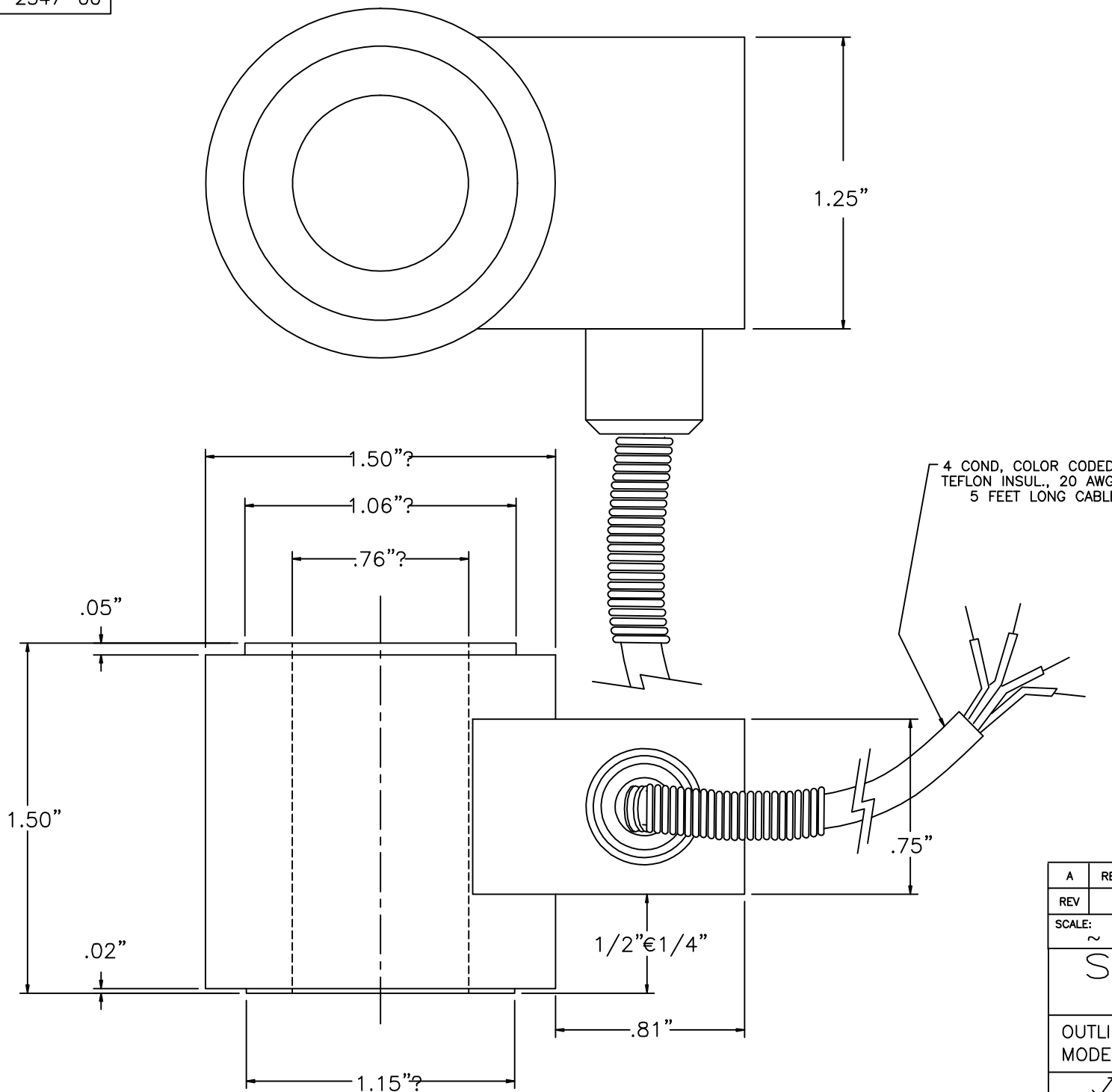


WIRING CODE  
 4 cond. cable, no amp  
 RED +EXCITATION  
 BLACK -EXCITATION  
 GREEN -OUTPUT  
 WHITE +OUTPUT



SENSOTEC  
 P/N 060-1587-00  
 AVAILABLE RANGE:  
 15 - 25 K LB

A	REVISED PER ECN # 2347	ADDED VIEW LOCATE BOX	9APR91 JJB	
REV	DESCRIPTION		REVISED BY	APPROV. RELEASE
SCALE: ~	DRAWN 8APR91 JJB	CHECKED:	APPROVED:	
<b>SENSOTEC INC.</b> 1200 CHESAPEAKE AVE. COLUMBUS, OHIO 43212				
OUTLINE DRAWING for MODEL TH LOAD CELL				
<input checked="" type="checkbox"/>		DOCUMENT NUMBER		
SHEET 1 OF 1		000-2347-00		