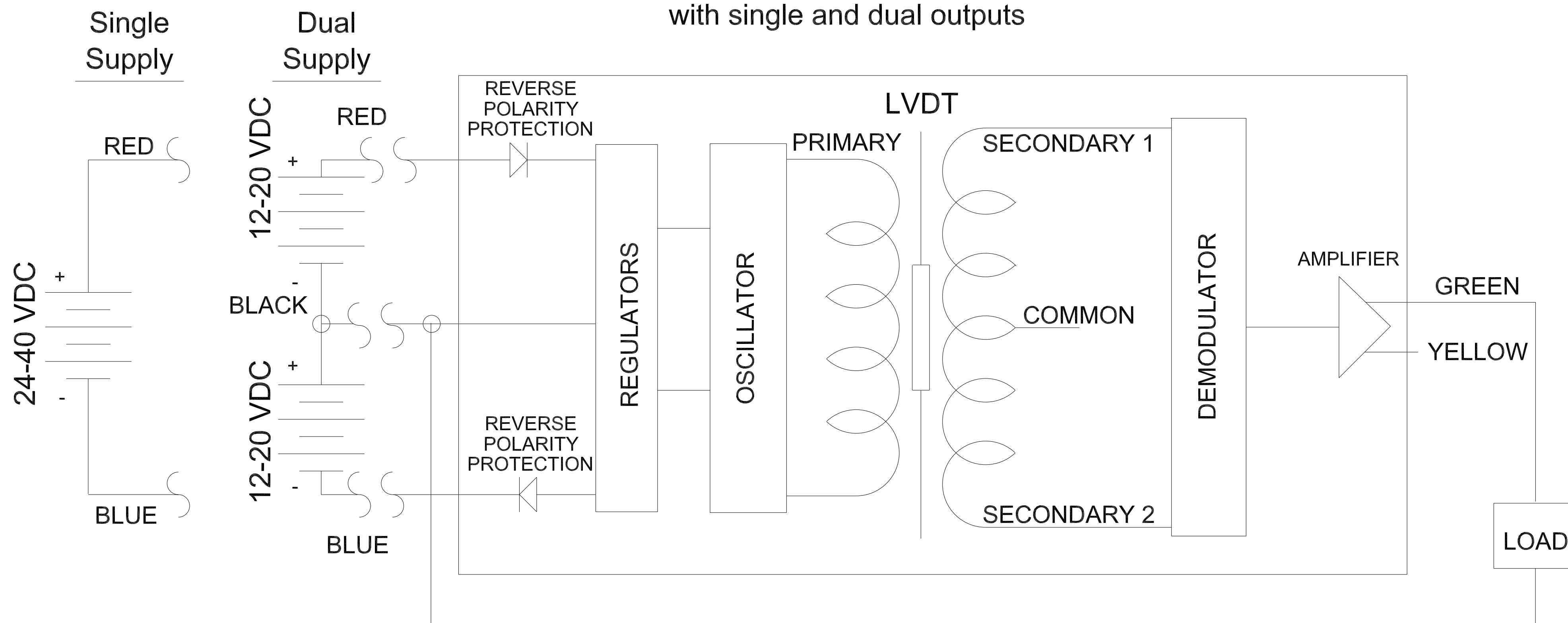
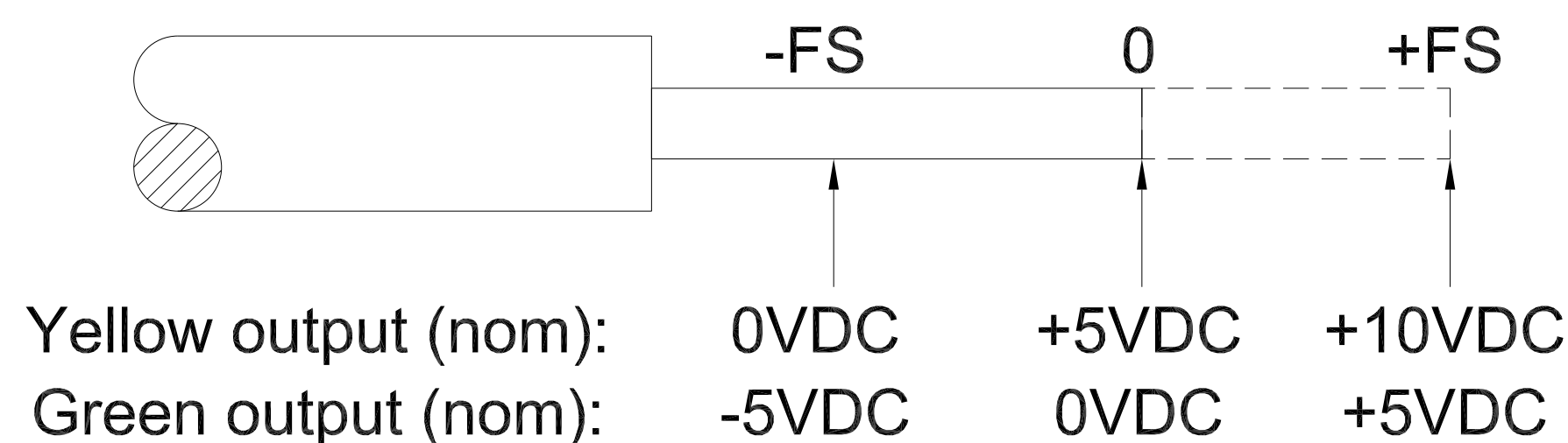


### DC/DC LVDT (Single or Dual power supply) with single and dual outputs



**Note:** Supply must be fully floating.  
Output common floats at  $V_{supply}/2$ .

COLOR or PIN	DESIGNATION
Red or PIN A	(+)Supply
Blue or PIN B	(-)Supply
Black or PIN C	(-)Output common/Supply return
Green or PIN D	(+)Output ( $\pm 5$ VDC, min. 10K Ohm load)
Yellow or PIN E	(+)Output (0-10 VDC, min. 2K Ohm load)
Brown or PIN F	No connection



001-1129-00

-	INITIAL RELEASE TO PRODUCTION	-	-	-
REV	DESCRIPTION	REV BY	CHK BY	APV BY
DRW: EPSTEIN 02/01/2002	CHK: FRESCO 02/05/2002	MFG:	ENG: RASTATTER 02/04/2002	

REV HIST		
DATABASE VERIFIED:	DETRICK	01/14/2003
PLOT FILE VERIFIED:	DETRICK	01/14/2003
CATALOG VERIFIED:	N/A	N/A
CATALOG REFERENCE:		

**SENSOTEC**®  
2080 ARLINGATE LANE  
COLUMBUS, OHIO 43228  
WWW.SENSOTEC.COM

© SENSOTEC, INC. ALL RIGHTS RESERVED

EXTERNAL WIRING CODE, LVDT  
AMP,DC/DC,SINGLE/DUAL,INPUT/OUTPUT

CODE IDENT NO.  
**51518**

DOCUMENT NUMBER  
001-1129-00

SHEET 1 OF 1 SIZE A