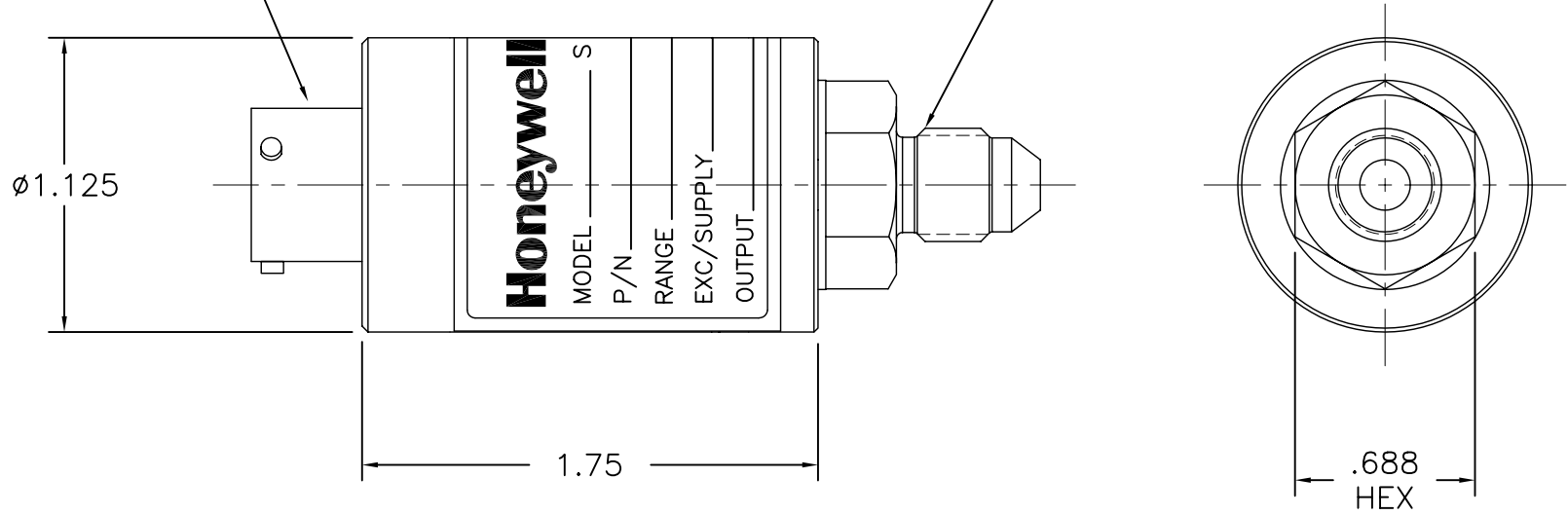


ELECTRICAL CONNECTOR:
 BENDIX: PTIH-10-6P
 OR EQUIVALENT
 MATING CONNECTOR:
 BENDIX: PT06A-10-6S

PRESSURE PORT:
 7/16-20 UNF MALE (MS33656-4)



SPECIFICATIONS:
 AVAILABLE CAPACITY: SEE TABLE
 ACCURACY: ±0.1%
 OUTPUT: 3 mv/v
 EXCITATION: 10 VDC
 TEMPERATURE COMPENSATION: -65° to 250°F
 TEMPERATURE EFFECT:
 ZERO: ± 0.005% F.S./°F
 SPAN: ± 0.005% RDG./°F

WIRING CODE
 UNAMP (S), 6-PIN, 4-COND
 PIN DESIGNATION
 A & B (+) EXCITATION
 C & D (-) EXCITATION
 E (-) OUTPUT
 F (+) OUTPUT

-10	100 PSIG
-09	1,000 PSIG
-08	10,000 PSIG
-07	150 PSIG
-06	5,000 PSIG
-05	3,000 PSIG
-04	300 PSIG
-03	25 PSIG
-02	50 PSIG
060-9538-01	500 PSIG
PART NO.	CAPACITY

IF THIS IS A PAPER COPY IT IS UNCONTROLLED. VERIFY REVISION BEFORE USE.

PROPRIETARY RIGHTS NOTICE: THIS DRAWING COVERS A PROPRIETARY ITEM AND IS THE PROPERTY OF HONEYWELL. THIS DRAWING IS NOT TO BE COPIED OR USED WITHOUT THE PERMISSION OF HONEYWELL.

UNLESS OTHERWISE SPECIFIED: ALL DIMENSIONS IN INCHES. INTERPRET PER ASME Y14.100-2000 OTHER HONEYWELL STDS MAY APPLY. ALL FILLETS & CORNERS .005R MAX DEBURR & BREAK SHARP CORNERS		10/16/2007	ECN 07-908, CHG 1.46 TO 1.75	EPSTEIN	-	BDR
REV	DESCRIPTION	REV BY	CHK BY	APV BY		
DRW: JPF	CHK: RAF	MFG: -	ENG: RAF			
AUTOCAD		2/12/1999	2/16/1999	xx/xx/xx	2/16/1999	
REV HIST	DO NOT SCALE	<p>HONEYWELL SENSOTEC 2080 ARLINGATE LANE COLUMBUS, OHIO 43228 www.honeywell.com/sensing</p>				
	.X					
	±.2					
	.XX					
	±.02	GAGE PRESSURE TRANSDUCER				
	.XXX	DIA = 1.125, 7/16-20 MALE				
	±.010	CODE IDENT NO. 51518		DOCUMENT NUMBER		
		SHEET 1 OF 1	SIZE A	000-3527-00		