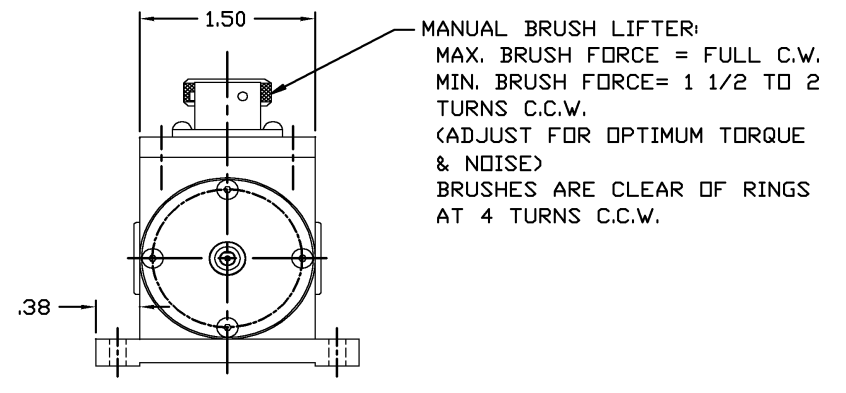
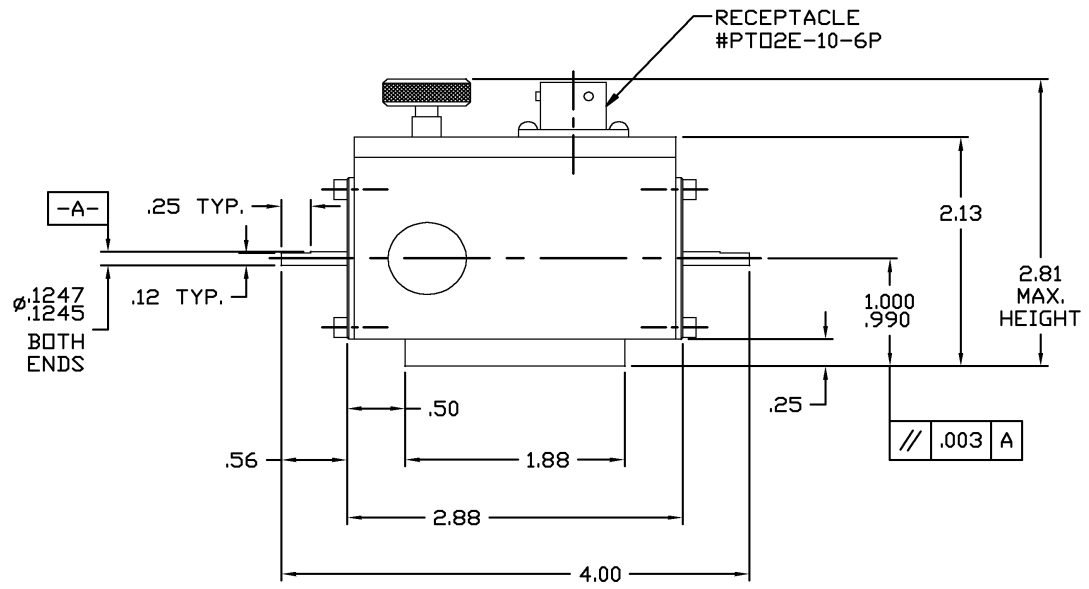
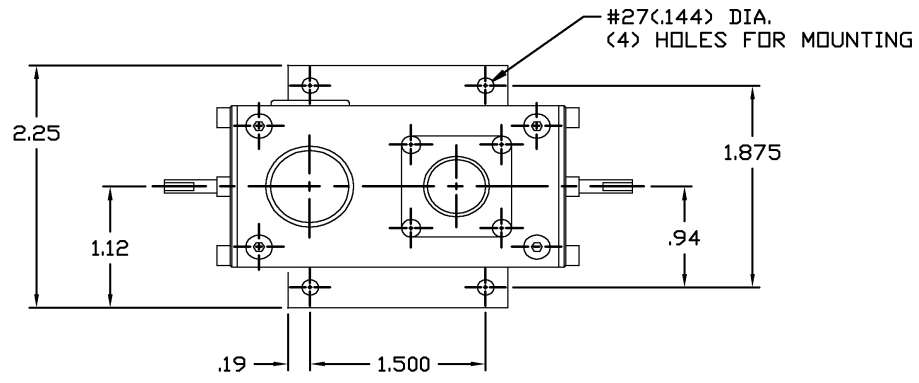


DO NOT SCALE DRAWING	B-1103-D REV.
ALL CHANGES TO DRAWING MUST BE DONE IN CAD	THIRD ANGLE PROJECTION

**"NOTICE TO PERSONS RECEIVING THIS DRAWING AND/OR TECHNICAL INFORMATION"**  
 Lebow Products claims proprietary rights to the material disclosed herein. This drawing and/or technical information is issued in confidence for engineering information only and may not be reproduced or used to manufacture anything shown or referred to herein without direct written permission from Lebow Products to the user. This drawing and/or technical information is the property of Lebow Products and is loaned for mutual assistance, to be returned when its purpose has been served.



**SPECIFICATIONS:**  
 CAPACITY - 10,20,50 IN. OZ.  
 OUTPUT - 1 MV/V (NDM.)  
 SPEED - MAX. R.P.M. 20,000

DET. NO.	PART NO.	DESCRIPTION	REV'D.
		Lebow Products Troy, Michigan	
UNLESS OTHERWISE SPECIFIED			
LINEAR DIMENSIONS ARE IN INCHES		REMOVE ALL BURRS & SHARP EDGES	
ANGULAR DIMENSIONS ARE IN DEGREES		SURFACE FINISH 125 ✓	
DIMENSION LIMITS HELD AFTER PLATING			
TOLERANCES			ENGR.
DRILLED HOLES - .000 + .007	TWO PLACE DECIMALS ± .005	THREE PLACE DECIMALS ± .005	J.K.
SCALE: NONE	REF. DWG. B-11154	FRACTIONAL DIMENSIONS ± 1/64	DATE: 9/23/83
TITLE: TORQUE SENSOR O.D.			MODEL: 1103
			DATE: -
			ENG. -
DRAWING NO. B-1103-D			REV. -

REVISIONS	DESCRIPTION	DATE
	APPV'D.	
	CHG'D.	
	ECN NO.	
REWORK	SYMBOL	

REDRAWN ON CAD  
 OUTPUT WAS 2 IN VXDNDK