
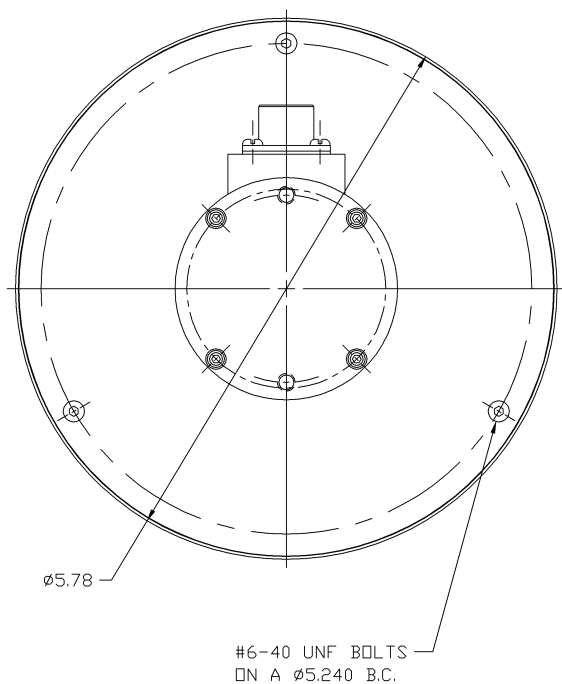
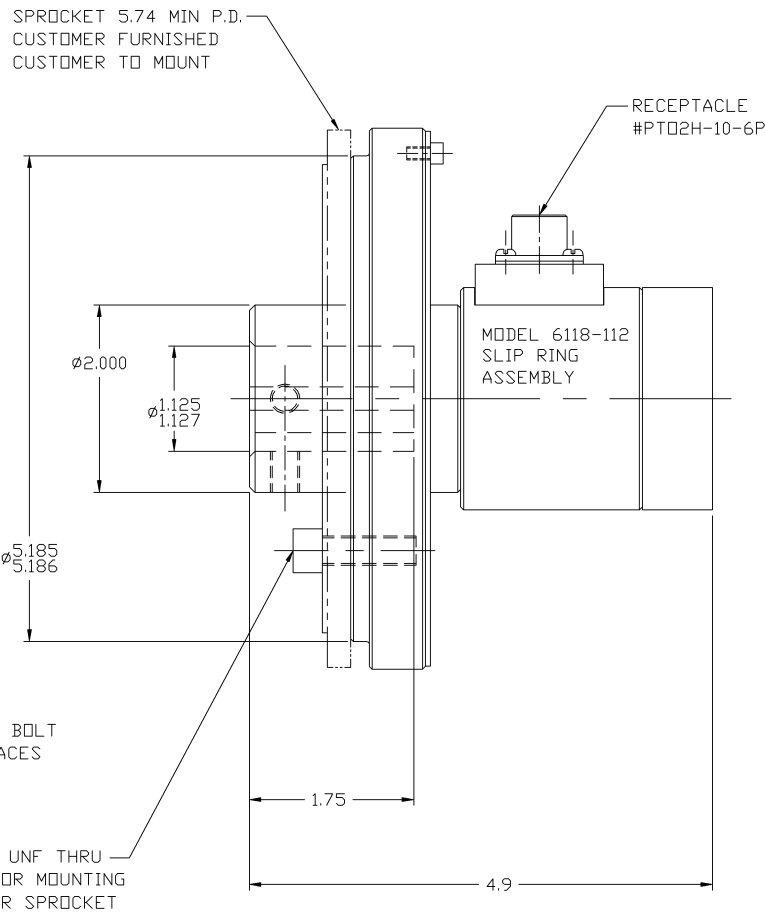
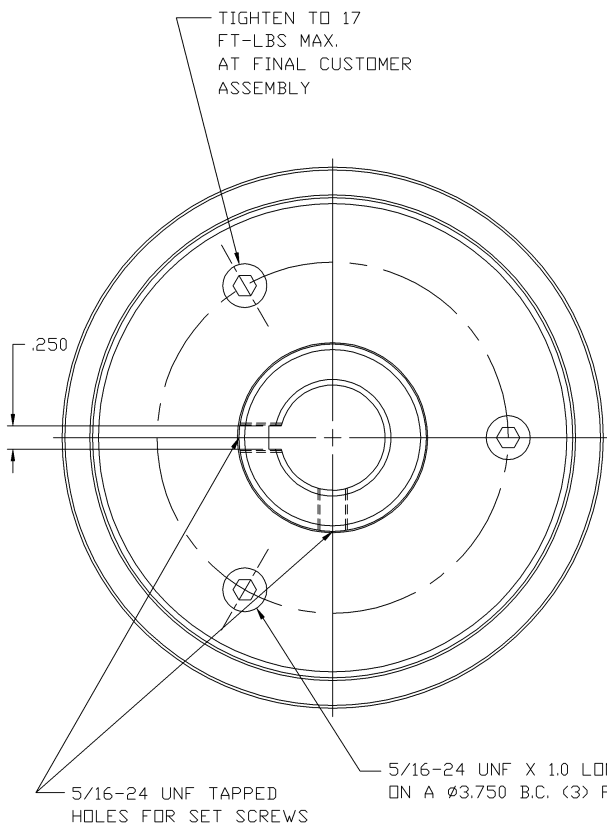


DO NOT SCALE DRAWING	C-30028	REV.
ALL CHANGES TO DRAWING MUST BE DONE ON CAD	 THIRD ANGLE PROJECTION	



NOTICE TO PERSONS RECEIVING THIS DRAWING AND/OR TECHNICAL INFORMATION
 Lebow Products does proprietary rights to the material disclosed herein. This drawing and/or technical information is issued in confidence for engineering information only and may not be reproduced or used to manufacture anything shown or referred to herein without direct written permission from Lebow Products to the user. This drawing and/or technical information is the property of Lebow Products and is loaned for mutual assistance, to be returned when its purpose has been served.

REV. NO.	PART NO.	DESCRIPTION	REV'D.
Lebow Products Lebow Products Troy, Michigan			
UNLESS OTHERWISE SPECIFIED LINEAR DIMENSIONS ARE IN INCHES REMOVE ALL BURRS & ANGULAR DIMENSIONS ARE IN DEGREES SHARP EDGES DIMENSION LIMITS HELD AFTER PLATING SURFACE FINISH 125 ✓			
TOLERANCES			
DRILLED HOLES +0.00 +0.07	TWO PLACE DECIMALS ± .01	THREE PLACE DECIMALS ± .005	ANGLES ± 0 30'
SCALE: NONE	REF. DWG: C-30029	FRACTIONAL DIMENSIONS ± 1/64	MAT'L: —
TITLE: SPROCKET SENSOR O.D.			MODEL: 1388
DRAWING NO. C-30028			REV.

DATE	APPR'D.	CHK'D BY	ENR.
DATE	CHG'D.	DATE	DATE
EDN NO.	SYM.		

REVISIONS