

MLH SERIES

32328895
Issue D

Heavy Duty Pressure Transducers

6 bar to 550 bar | 50 psi to 8000 psi

DESCRIPTION

The MLH Series Heavy Duty Pressure Transducers combine Application Specific Integrated Circuit (ASIC) technology with a media-isolated, metal diaphragm design. This digitally compensated transducer offers value and performance, making it a suitable pressure sensing solution for demanding applications. Industry standard electrical connectors and pressure ports are offered for enhanced reliability and user flexibility.

The MLH Series has six standard output options:

- Ratiometric: 0.5 Vdc to 4.5 Vdc from 5 Vdc excitation
- Current: 4 mA to 20 mA
- Regulated: 1 Vdc to 6 Vdc
- Regulated: 0.25 Vdc to 10.25 Vdc
- Regulated: 0.5 Vdc to 4.5 Vdc
- Regulated: 1 Vdc to 5 Vdc

VALUE TO CUSTOMERS

- Media compatibility: Common HFC (hydrofluorocarbon) refrigerants such as R410A and R134A, next generation low global warming potential (GWP) refrigerants such as R448A (Solstice® N40), R32 and R1234ZE, engine oil, petroleum-based hydraulic fluids, DOT 3 brake fluid, and dry air. For ammonia and other corrosive media, see Honeywell's SPT Series.
- Enhanced durability: The PX2 Series can operate in the rigorous environments commonly found in HVAC/R and air compressor applications. The sensor can survive at least 10 million pressure cycles and has an ingress protection rating up to IP69K.

POTENTIAL APPLICATIONS

- Industrial: Compressors, cylinder tank pressure, HVAC, hydraulics, oil and gas, refrigeration, water distribution
- Transportation: Multiple applications including braking and alternative fuels
- Medical: Anesthesia delivery machines, blood analyzers, chemistry analyzers, gas chromatography, oxygen concentrators, and ventilators

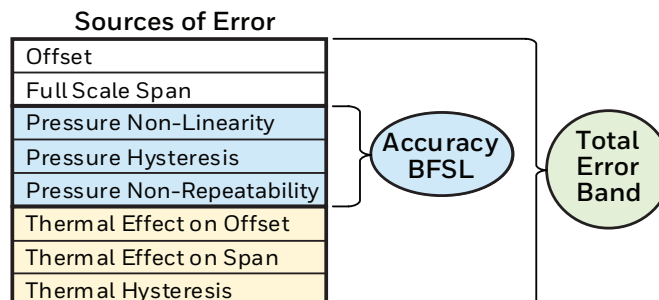
FEATURES

- Pressure range of 6 bar to 550 bar | 50 psi to 8,000 psi
- $\pm 0.25\%$ full scale accuracy Best Fit Straight Line (BFSL)
- Total Error Band (TEB) as low as 2 %FSS
- Compensated and operating temperature range of -40°C to 125°C [-40°F to 257°F] (see Table 4)
- Less than 2 ms response time
- Fully temperature compensated, calibrated and amplified
- Rated IP65 or better for protection from most harsh environments
- RoHS, CE, UKCA, UL Component Recognition for USA and Canada: File No. E258956



PORTFOLIO
 Honeywell offers a variety of heavy duty pressure transducers for potential use in aerospace, medical, transportation, agriculture, refrigeration, and industrial applications. To view the entire product portfolio, click here.

Figure 1. Total Error Band (TEB) Definition



HEAVY DUTY PRESSURE TRANSDUCERS

MLH SERIES

Table 1. Pressure Range Specifications¹ (At 25°C [77°F] and at rated excitation unless otherwise specified.)

bar			psi		
Operating Pressure	Proof Pressure	Burst Pressure	Operating Pressure	Proof Pressure	Burst Pressure ²
6	18	60	50	150	500
10	30	100	100	300	1000
16	48	160	150	450	1500
25	75	250	200	600	2000
40	80	400	250	750	2500
60	120	600	300	900	3000
100	200	1000	500	1500	5000
160	320	1600	1000	2000	10000
250	500	2068	2000	4000	20000
350	700	2068	3000	6000	30000
500	750	2068	5000	7500	30000
550	825	2068	8000	12000	30000

¹ Comparable metric units follow same proof and burst specifications.

² Bonded washer seal used on G 1/8 (DIN 3852-2) port is limited to 25000 psi burst.

Table 2. Electrical Specifications (At 25°C [77°F] unless otherwise noted.)

Characteristic	Output Signal					
	Ratiometric A	Current B	Regulated C	Regulated D	Regulated E	Regulated G
Zero output	0.5 Vdc	4 mA	1 Vdc	0.25 Vdc	0.5 Vdc	1 Vdc
Full scale span (FSS)	4 Vdc (0.5 Vdc to 4.5 Vdc)	16 mA (4 mA to 20 mA)	5 Vdc (1 Vdc to 6 Vdc)	10 Vdc (0.25 Vdc to 10.25 Vdc)	4 Vdc (0.5 Vdc to 4.5 Vdc)	4 Vdc (1 Vdc to 5 Vdc)
Excitation	5 Vdc (6 Vdc max.) ¹	9.5 Vdc to 30 Vdc ²	8 Vdc to 30 Vdc ²	14 Vdc to 30 Vdc ²	7 Vdc to 30 Vdc ²	8 Vdc to 30 Vdc ²
Supply current	4 mA typ., 8 mA max.	N/A	5 mA typ., 17 mA max.	5 mA typ., 17 mA max.	5 mA typ., 17 mA max.	5 mA typ., 17 mA max.
Source (nominal)	1 mA	N/A	1 mA	1 mA	1 mA	1 mA
Sink (nominal)	1 mA at zero output	N/A	1 mA at zero output	1 mA at zero output	1 mA at zero output	1 mA at zero output
Supply rejection ratio	90 dB	90 dB	90 dB	90 dB	90 dB	90 dB
Output impedance	25 Ohm max.	N/A	25 Ohm max.	25 Ohm max.	25 Ohm max.	25 Ohm max.

¹ Maintains ratiometricity at 5 ±0.25 Vdc excitation. Product can tolerate 6 Vdc excitation without damage.

² See Figures 2 and 3 for more information regarding maximum excitation voltage vs. operating temperature.

Table 3. Pressure Reference Types

Pressure Reference	Description
Sealed gage¹	Output is proportional to the difference between applied pressure and a built-in fixed reference to 1 atmA, where the minimum operating pressure is set to 14.7 psiA (1 atmA).
Vented gage (relative)²	Transducer measures pressure relative to ambient pressure. Output is proportional to the difference between applied pressure and atmospheric (ambient) pressure, where the minimum operating pressure is set to atmospheric pressure.

HEAVY DUTY PRESSURE TRANSDUCERS

MLH SERIES

Table 4. Environmental and Mechanical Specifications (At 25°C [77°F] unless otherwise noted.)

Characteristic	Parameter
Material in contact with media: port diaphragm	stainless steel 304L Haynes 214 alloy
Housing material	black plastic – Amodel AS-4133 HS – PPA
Weight (typical for Metri-Pack 150 and 1/8 NPT pressure port types)	57.0 g [2.0 oz]
Shock	100 g peak [11 ms]
Vibration	MIL-STD-810C, Figure 514.2-5, Curve AK, Table 514.2-V, Random Vibration Test (overall g rms = 20.7 min.)
Compensated and operating temperature range: 0.5 Vdc to 4.5 Vdc ratiometric output all regulated and 4 mA to 20 mA outputs	-40°C to 125°C [-40°F to 257°F] -40°C to 125°C [-40°F to 257°F] (See Figures 2 & 3 for operating area details.)
Storage temperature range	-40°C to 125°C [-40°F to 257°F]
Approvals	RoHS, CE, UKCA, UL Component Recognition for USA and Canada: File No. E258956

Table 5. Performance Specifications (At 25°C [77°F] unless otherwise noted.)

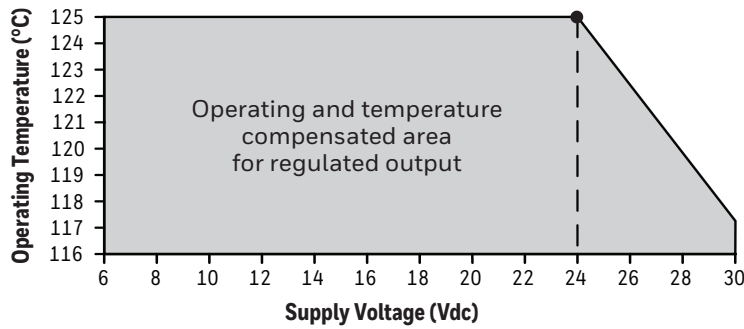
Characteristic	Parameter
Response time	<2 ms
Accuracy ¹ : ≥100 psi ≤100 psi	±0.25 %FSS ±0.50 %FSS
Total Error Band ² : Vented gage (relative): <300 psig ≥300 psig Sealed gage: <u>without L, M, P</u> electrical connector types: 100 psis to 299 psis (-40°C to 85°C [-40°F to 185°F]) 100 psis to 299 psis (>85°C to 125°C [>185°F to 257°F]) ≥300 psis (-40°C to 125°C [-40°F to 257°F]) <u>with L, M, P</u> electrical connector types: 100 psis to 299 psis (-40°C to 65°C [-40°F to 149°F]) 100 psis to 299 psis (>65°C to 125°C [>149°F to 257°F]) ≥300 psis (-40°C to 65°C [-40°F to 149°F]) ≥300 psis (>65°C to 125°C [>149°F to 257°F])	±3 %FSS ±2 %FSS ±3 %FSS ±10 %FSS ±2 %FSS ±10 %FSS ±15 %FSS ±5 %FSS ±15 %FSS

¹Includes pressure non-linearity (BFSL), pressure hysteresis and pressure non-repeatability. Thermal errors are not included. (See Figure 1.)

²Includes offset error, full scale span error, pressure non-linearity (BFSL), pressure hysteresis, pressure non-repeatability, thermal effect on offset, thermal effect on span, and thermal hysteresis. (See Figure 1.)

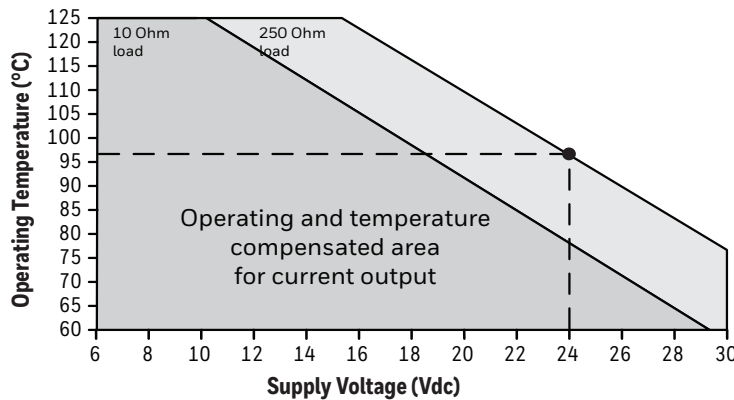
HEAVY DUTY PRESSURE TRANSDUCERS MLH SERIES

Figure 2. Regulated Output Operating and Temperature Compensation



Note: The dot indicates the maximum operating temperature of 125°C [257°F] with a 24 V supply.

Figure 3. Current Output Operating and Temperature Compensation



Note: The operating area is extended with a 250 Ohm resistor. Higher loads extend the operating area. The dot indicates the maximum operating temperature when using a 24 V supply and a 250 Ohm resistor.

CAUTION PRODUCT DAMAGE DUE TO MECHANICAL ISSUES

- Ensure torque specifications are determined for the specific application. Values provided are for reference only. (Mating materials and thread sealants can result in significantly different torque values from one application to the next.)
- When using mating parts made of stainless steel, use a thread sealant with anti-seize properties to prevent thread galling. Ensure the sealant is rated for the application.
- Use appropriate tools (such as an open ended wrench or deep well socket) to install transducers.
- Always hand-start transducers into the hole to prevent cross threading and damage.
- Ensure that torque is not applied to the electrical connector.
- Ensure that the proper mating electrical connector with a seal is used to connect the transducer. Improper or damaged seals can compromise ingress protection, leading to short circuits.

Failure to comply with these instructions may result in product damage.

CAUTION PRODUCT DAMAGE DUE TO PARTICULATES

- Ensure that a filter is used upstream of the transducer to keep media flow free of larger particulates and increased humidity. All MLH Series transducers are dead-ended devices; particulate accumulation and condensing moisture may affect transducer output.
- It is recommend that the transducer be positioned with the port facing downwards; any particulates in the system are less likely to enter and settle within the pressure transducer if it is in this position.
- Ensure that the media does not create a residue when dried. Build-up inside the transducer may affect transducer output; rinsing of a dead-ended transducer is potentially difficult and has limited effectiveness in removing residue.

Failure to comply with these instructions may result in product damage.

HEAVY DUTY PRESSURE TRANSDUCERS

MLH SERIES

Figure 4. Nomenclature and Order Guide

For example, MLH150PSB01B defines an MLH Series Heavy Duty Pressure Transducer, 150 psi pressure range, sealed gage pressure reference, Metri-Pack 150 electrical connector type, 1/4-18 NPT pressure port type, 4 mA to 20 mA output.

Series

MLH Heavy Duty Pressure Transducer¹

Pressure Range

bar	psi
006	6
010	10
016	16
025	25
040	40
060	60
100	100
160	160
250	250
350	350
500	500
550	550

Unit

B bar

P psi

Pressure Reference

G Vented gage (relative)

S Sealed gage²

MLH 150 P S B 01 B

Electrical Connector Type

Connector Type	Code	Description
Metri-Pack 150 ³	B	Cable harness, 1 meter cable length ³
Hirschmann	C	Cable harness, 3 meter cable length ^{3,3}
M12x1 (Brad Harrison micro)	D	Flying leads
DIN 43650-C, 8 mm male	G	
AMP Superseal 1.5 ⁴	H	
Deutsch DTM04-3P (integral)	T	

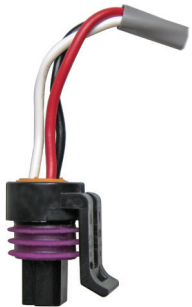
Output Transfer Function

A	Ratiometric: 0.5 Vdc to 4.5 Vdc from 5 Vdc excitation
B	Current: 4 mA to 20 mA
C	Regulated: 1 Vdc to 6 Vdc
D	Regulated: 0.25 Vdc to 10.25 Vdc
E	Regulated: 0.5 Vdc to 4.5 Vdc
G	Regulated: 1 Vdc to 5 Vdc

Pressure Port Type

01	1/4-18 NPT (ANSI B1.20.1)	54	M10x1 with O-ring seal (ISO 6149-2) ⁵
06	1/8-27 NPT (ANSI B1.20.1)	55	M12x1.5 with O-ring seal (ISO 6149-2) ⁵
09	7/16-20 UNF 1/4 in 45° Flare Female Schrader with depressor	56	M14x1.5 with O-ring seal (ISO 6149-2) ⁵
11	1/2-14 NPT (ANSI B1.20.1)	57	M16x1.5 with O-ring seal (ISO 6149-2) ⁵
13	R 1/4-19 BSPT (ISO 7-1)	58	M18x1.5 with O-ring seal (ISO 6149-2) ⁵
19	R 1/8-28 BSPT (ISO 7-1)	59	M20x1.5 with O-ring seal (ISO 6149-2) ⁵
50	3/8-24 UNF with O-ring seal (SAE J1926-2) ⁵	60	G1/8-28 BSPP with bonded washer (DIN 3852-2) ^{5,6}
51	7/16-20 UNF with O-ring seal (SAE J1926-2) ⁵	61	G1/4-19 BSPP with bonded washer (DIN 3852-2) ^{5,6}
52	1/2-20 UNF with O-ring seal (SAE J1926-2) ⁵	62	G1/8-28 BSPP with elastomeric seal (ISO 1179-2) ⁵
53	9/16-18 UNF with O-ring seal (SAE J1926-2) ⁵	63	G1/4-19 BSPP with elastomeric seal (ISO 1179-2) ⁵

Metri-Pack 150 mating connector³



¹ Not all catalog listing combinations are available. Custom products are available. Please contact Honeywell.

² Sealed gage option is only available in pressure ranges at or above 8 bar | 100 psi.

³ Metri-Pack 150 mating connectors with shielded cable and 22 AWG wire are available from Honeywell. Order part no. 3685301 for 1 m [3.2 ft] cable length and part no. 3685302 for 3 m [9.8 ft] cable length.

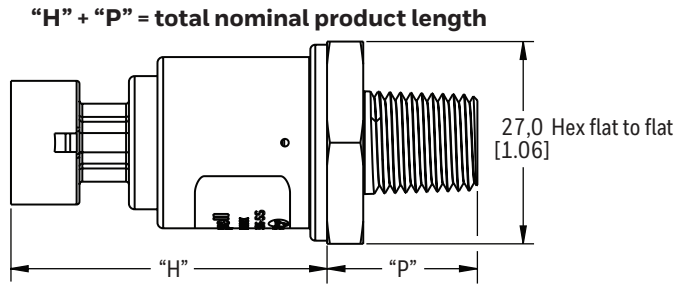
⁴ Available with Output Transfer Function A only.

⁵ Seal accessory is included with the sensor. Seal accessory materials and specifications are: O-ring (nitrile, durometer 90, temperature range -30°C to 125°C), bonded washer (steel outer ring with nitrile inner ring, temperature range -30°C to 125°C), elastomeric seal (nitrile, temperature range -30°C to 125°C).

⁶ When using the bonded washer accessory supplied by Honeywell, the customer's female port connection design should follow DIN 3852-1: 2000-11 size large. If compliance to DIN 3852-1:2014-05 is required, contact Honeywell for alternate options.

HEAVY DUTY PRESSURE TRANSDUCERS MLH SERIES

Figure 5. Electrical Connector Type Mounting Dimensions (For reference only. mm/[in].)

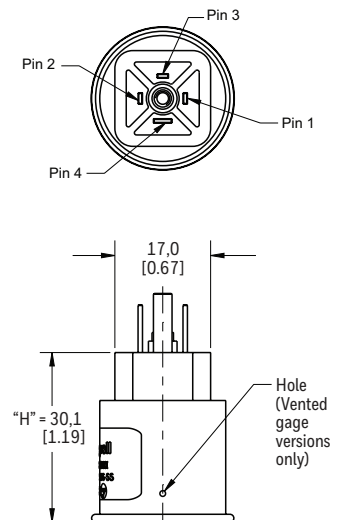
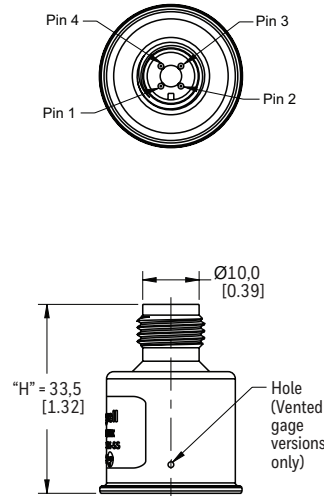
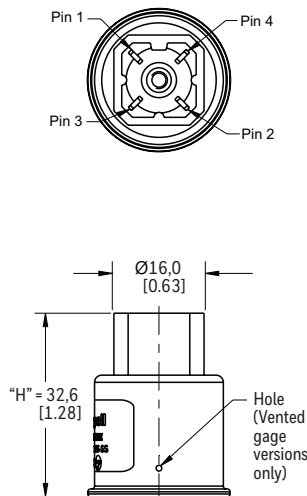
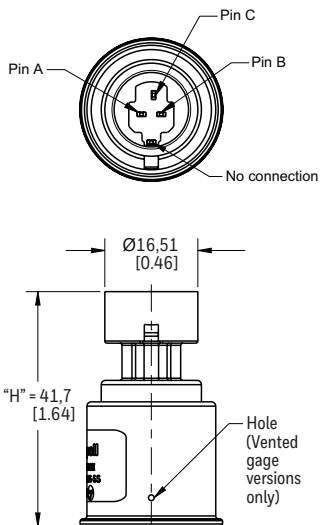


General product marking



B Metri-Pack 150			C Hirschmann			D M12x1 (Brad Harrison micro)			G DIN 43650-C, 8 mm male		
Connector: Delphi 12078088 Mating connector: Delphi 12110192 IP rating¹: IP65 (all versions)			Connector: Hirschmann G series, 4-pole (small cubic connector) Mating connector: Hirschmann G4WF or equivalent IP rating¹: IP65 (all versions)			Connector: DS/EN 61076-2-101 (IEC 61076-2-101) Mating connector: 4 POS Type D IP rating¹: IP65, IP67 (sealed gage versions), IP65 (vented gage versions)			Connector: DIN 43650C, 8 mm Mating connector: DIN 43650C, 8 mm IP rating¹: IP65 (all versions)		

Pin	Voltage Output (3-wire)	Current Output (2-wire)	Pin	Voltage Output (3-wire)	Current Output (2-wire)	Pin	Voltage Output (3-wire)	Current Output (2-wire)	Pin	Voltage Output (3-wire)	Current Output (2-wire)
A	+excitation	+excitation	1	no connection	no connection	1	+excitation	+excitation	1	+excitation	+excitation
B	common	no connection	2	output	no connection	2	common	-excitation (return)	2	common	-excitation (return)
C	output	-excitation (return)	3	common	-excitation (return)	3	output	no connection	3	no connection	no connection
			4	+excitation	+excitation	4	no connection	no connection	4	output	no connection



HEAVY DUTY PRESSURE TRANSDUCERS

MLH SERIES

Figure 5. Electrical Connector Type Mounting Dimensions (continued)

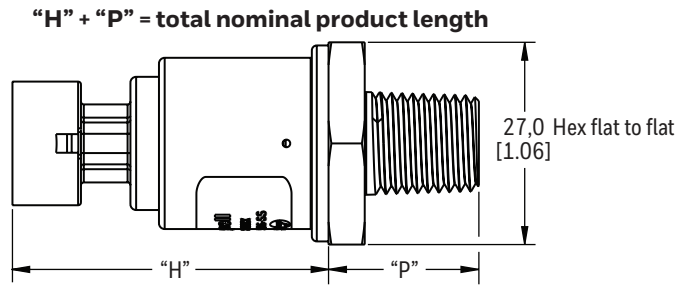
H AMP Superseal 1.5					L Cable Harness, 1 Meter M Cable Harness, 3 Meter					P Flying Leads			T Deutsch DTM04-3P (integral)		
Connector: Amp 282087 Mating connector: Amp 282087 IP rating¹: IP65 (all versions)					Connector: 24 AWG with TPE jacket Mating connector: Flying leads IP rating¹: IP65, IP67, IP69K (sealed gage versions), IP65 (vented gage versions)					Connector: 6 in flying leads with 20 AWG wire and PE insulation IP rating¹: IP65, IP67, IP69K (sealed gage versions), IP65 (vented gage versions)			Connector: DTM04-3P Mating connector: DTM06-3S with wedglock WM-3S IP rating¹: IP65, IP67, IP69K (sealed gage versions), IP65 (vented gage versions)		
Pin	Voltage Output (3-wire)	Wire Color	Voltage Output (3-wire)	Current Output (2-wire)	Wire Color	Voltage Output (3-wire)	Current Output (2-wire)	Pin	Voltage Output (3-wire)	Current Output (2-wire)					
1	common	red	+excitation	+excitation	red	+excitation	+excitation	1	+excitation	+excitation					
2	output	white	output	-excitation (return)	white	common	-excitation (return)	2	common	-excitation (return)					
3	+excitation	black	common	no connection (black wire removed)	black	output	no connection (black wire removed)	3	output	no connection					

¹ IP rating is determined by the electrical connector type chosen.

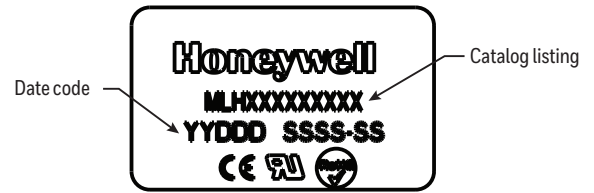
² Three-wire cable is required for ratiometric and regulated voltage outputs; two wire cable is required for current output.

HEAVY DUTY PRESSURE TRANSDUCERS MLH SERIES

Figure 6. Pressure Port Type Mounting Dimensions (For reference only: mm/[in.])¹



General product marking

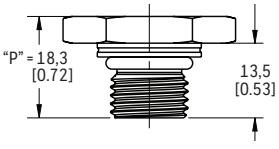
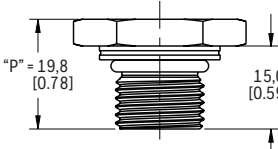
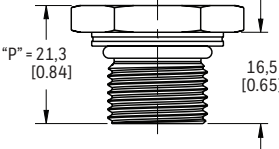
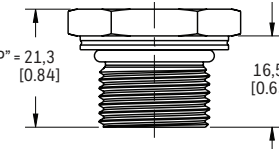
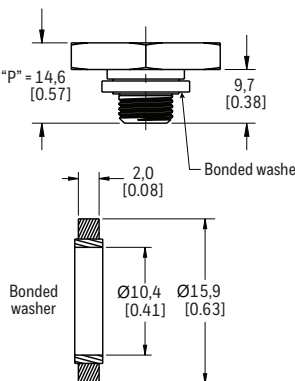
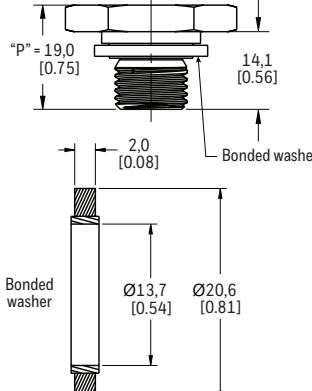
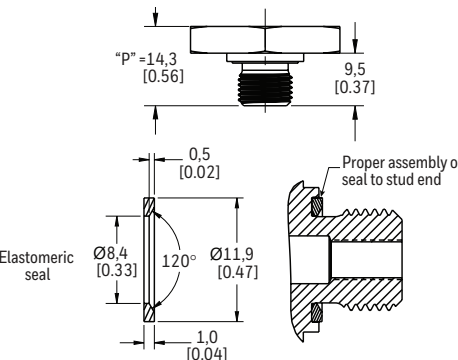
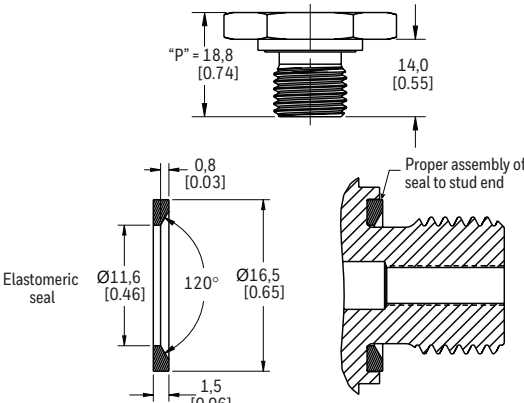


<p>01 1/4-18 NPT</p>	<p>06 1/8-27 NPT</p>	<p>09 7/16-20 UNF 1/4 in 45° Flare Female Schrader with depressor</p>
<p>Seal: Pipe thread Mating geometry: ANSI B1.20.1-2013 Installation torque: 2 to 3 turns from finger tight</p> <p>"P" = 20,1 [0.79] 15,2 [0.60]</p>	<p>Seal: Pipe thread Mating geometry: ANSI B1.20.1-2013 Installation torque: 2 to 3 turns from finger tight</p> <p>"P" = 15,0 [0.59] 10,2 [0.40]</p>	<p>Seal: 45° cone Mating geometry: SAE J512 Installation torque: 20 Nm [14.8 ft-lb]</p> <p>"P" = 17,5 [0.69] 12,7 [0.50]</p>
<p>11 1/2-14 NPT</p>	<p>13 R1/4-19 (BSPT)</p>	<p>19 R1/8-28 (BSPT)</p>
<p>Seal: Pipe thread Mating geometry: ANSI B1.20.1-2013 Installation Torque: 2 to 3 turns from finger tight</p> <p>"P" = 24,9 [0.98] 20,1 [0.79]</p>	<p>Seal: Pipe thread Mating geometry: ISO 7-1 Installation Torque: 2 to 3 turns from finger tight</p> <p>"P" = 19,6 [0.77] 14,7 [0.58]</p>	<p>Seal: Pipe thread Mating geometry: ISO 7-1 Installation Torque: 2 to 3 turns from finger tight</p> <p>"P" = 15,0 [0.59] 10,2 [0.40]</p>
<p>50 3/8-24 UNF (SAE J1926-2)</p>	<p>51 7/16-20 UNF (SAE J1926-2)</p>	<p>52 1/2-20 UNF (SAE J1926-2)</p>
<p>Seal[†]: O-ring Mating geometry: SAE J1926-1 Installation torque: 10 N m [7.4 ft-lb]</p> <p>"P" = 18,3 [0.72] 13,5 [0.53]</p>	<p>Seal[†]: O-ring Mating geometry: SAE J1926-1 Installation torque: 20 N m [14.8 ft-lb]</p> <p>"P" = 19,8 [0.78] 15,0 [0.59]</p>	<p>Seal[†]: O-ring Mating geometry: SAE J1926-1 Installation torque: 40 N m [29.5 ft-lb]</p> <p>"P" = 19,8 [0.78] 15,0 [0.59]</p>
<p>53 9/16-18 UNF (SAE J1926-2)</p>	<p>54 M10x1.0 (ISO 6149-2)</p>	<p>55 M12x1.5 (ISO 6149-2)</p>
<p>Seal[†]: O-ring Mating geometry: SAE J1926-1 Installation torque: 45 N m [33.2 ft-lb]</p> <p>"P" = 20,8 [0.82] 16,0 [0.63]</p>	<p>Seal[†]: O-ring Mating geometry: ISO 6149-2 Installation torque: 20 N m [14.8 ft-lb]</p> <p>"P" = 15,9 [0.63] 11,1 [0.44]</p>	<p>Seal[†]: O-ring Mating geometry: ISO 6149-2 Installation torque: 45 N m [33.2 ft-lb]</p> <p>"P" = 18,3 [0.72] 13,5 [0.53]</p>

HEAVY DUTY PRESSURE TRANSDUCERS

MLH SERIES

Figure 6. Pressure Port Type Mounting Dimensions (continued)

56 M14x1.5 (ISO 6149-2)	57 M16x1.5 (ISO 6149-2)	58 M18x1.5 (ISO 6149-2)
<p>Seal¹: O-ring Mating geometry: ISO 6149-1 Installation torque: 45 N m [33.2 ft-lb]</p> 	<p>Seal¹: O-ring Mating geometry: ISO 6149-1 Installation torque: 55 N m [40.6 ft-lb]</p> 	<p>Seal¹: O-ring Mating geometry: ISO 6149-1 Installation torque: 70 N m [51.6 ft-lb]</p> 
<p>59 M20x1.5 (ISO 6149-2)</p> <p>Seal¹: O-ring Mating geometry: ISO 6149-1 Installation torque: 80 N m [59.0 ft-lb]</p> 	<p>60 G1/8-28 (BSPP) DIN 3852-2</p> <p>Seal¹: Bonded washer Mating geometry with bonded washer: DIN3852-1; 2000-11, large Installation torque: 20 N m [14.8 ft-lb]</p> 	<p>61 G1/4-19 (BSPP) DIN 3852-2</p> <p>Seal¹: Bonded washer Mating geometry with bonded washer: DIN 3852-1:2000-11, large Installation torque: 50 N m [36.9 ft-lb]</p> 
<p>62 G1/8-28 (BSPP) ISO 1179-2</p> <p>Seal¹: Elastomeric Mating geometry: ISO 1179-1 Installation torque: 20 N m [14.8 ft-lb]</p> 	<p>63 G1/4-19 (BSPP) ISO 1179-2</p> <p>Seal¹: Elastomeric Mating geometry: ISO 1179-1 Installation torque: 50 N m [36.9 ft-lb]</p> 	

¹ Seal accessory included with transducer. Seal accessory material and specifications: O-ring (nitrile, durometer 90, temperature range -30°C to 125°C), bonded washer (steel outer ring with nitrile inner ring, temperature range -30°C to 125°C), elastomeric seal (nitrile, temperature range -30°C to 125°C).

ADDITIONAL MATERIALS

The following associated literature is available at sps.honeywell.com/ast:

- Product range guide
- Product installation instructions
- Product CAD models

FOR MORE INFORMATION

Honeywell Sensing and Safety Technologies services its customers through a worldwide network of sales offices and distributors. For application assistance, current specifications, pricing or the nearest Authorized Distributor, visit sps.honeywell.com/ast or call:

USA/Canada	+1 302 613 4491
Latin America	+1 305 805 8188
Europe	+44 1344 238258
Japan	+81 (0) 3-6730-7152
Singapore	+65 6355 2828
Greater China	+86 4006396841

Honeywell Sensing and Safety Technologies

830 East Arapaho Road
Richardson, TX 75081
sps.honeywell.com/ast

WARRANTY/REMEDY

Honeywell warrants goods of its manufacture as being free of defective materials and faulty workmanship during the applicable warranty period. Honeywell's standard product warranty applies unless agreed to otherwise by Honeywell in writing; please refer to your order acknowledgment or consult your local sales office for specific warranty details. If warranted goods are returned to Honeywell during the period of coverage, Honeywell will repair or replace, at its option, without charge those items that Honeywell, in its sole discretion, finds defective.

The foregoing is buyer's sole remedy and is in lieu of all other warranties, expressed or implied, including those of merchantability and fitness for a particular purpose. In no event shall Honeywell be liable for consequential, special, or indirect damages.

While Honeywell may provide application assistance personally, through our literature and the Honeywell web site, it is buyer's sole responsibility to determine the suitability of the product in the application.

Specifications may change without notice. The information we supply is believed to be accurate and reliable as of this writing. However, Honeywell assumes no responsibility for its use.

WARNING PERSONAL INJURY

DO NOT USE these products as safety or emergency stop devices or in any other application where failure of the product could result in personal injury.

Failure to comply with these instructions could result in death or serious injury.

WARNING MISUSE OF DOCUMENTATION

- The information presented in this product sheet is for reference only. Do not use this document as a product installation guide.
- Complete installation, operation, and maintenance information is provided in the instructions supplied with each product.

Failure to comply with these instructions could result in death or serious injury.