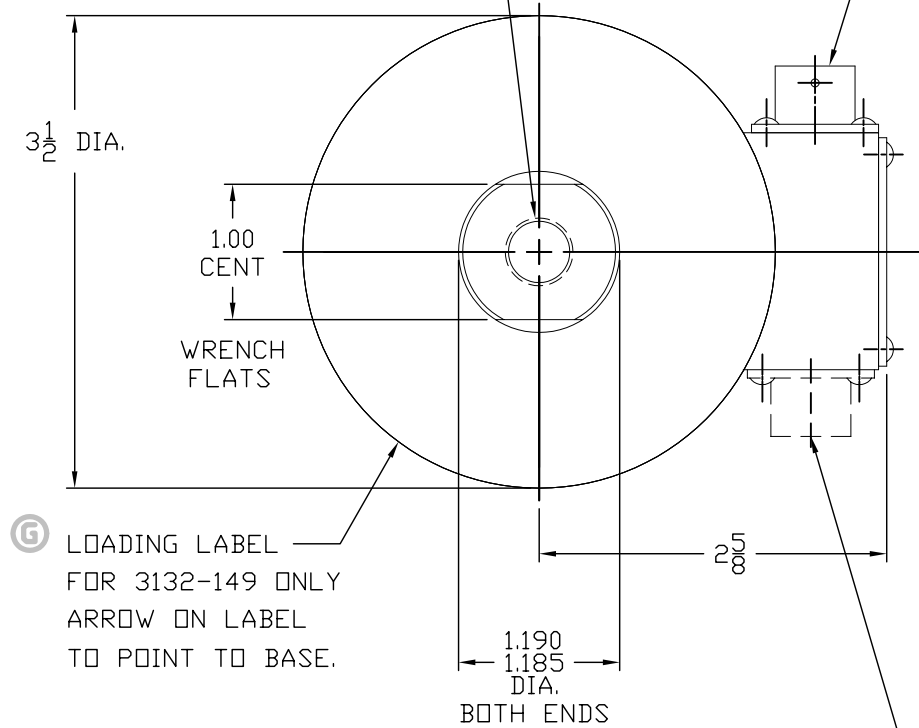


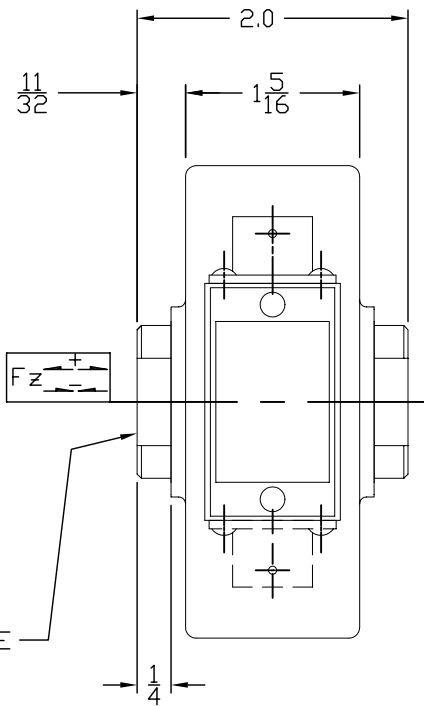
1/2-20 UNF-3B THD 5/8 DEEP  
(BOTH ENDS)

RECEPTACLE  
PT02E-10-6P  
MATING CONNECTOR  
FURNISHED



Ⓞ LOADING LABEL  
FOR 3132-149 ONLY  
ARROW ON LABEL  
TO POINT TO BASE.

RECEPTACLE  
PT02E-10-6P  
FOR DUAL BRIDGE  
(OPTIONAL)



DO NOT SCALE DRAWING	B-19113	REV.
ALL CHANGES TO DRAWING MUST BE DONE ON CAD		
THIRD ANGLE PROJECTION		

**\*NOTICE TO PERSONS RECEIVING THIS DRAWING AND/OR TECHNICAL INFORMATION:**  
Lebow Products claims proprietary rights to the material disclosed herein. This drawing and/or technical information is issued in confidence for engineering information only and may not be reproduced or used to manufacture anything shown or referred to herein without direct written permission from Lebow Products to the user. This drawing and/or technical information is the property of Lebow Products and is loaned for mutual assistance, to be returned when its purpose has been served.

DET. NO.	PART NO.	DESCRIPTION	REQ'D.
----------	----------	-------------	--------

<b>Lebow Products</b>		Lebow Products Troy, Michigan	
UNLESS OTHERWISE SPECIFIED LINEAR DIMENSIONS ARE IN INCHES REMOVE ALL BURRS & SHARP EDGES ANGULAR DIMENSIONS ARE IN DEGREES DIMENSION LIMITS HELD AFTER PLATING SURFACE FINISH 125 ✓			
TOLERANCES		DR. BY:	CHK'D. BY:
DRILLED HOLES - .000 + .007	TWO PLACE DECIMALS ± .010	C.P.	ENG.
THREE PLACE DECIMALS ± .005	ANGLES ± 0 °30'	DATE:	DATE:
SCALE: <b>NONE</b>	REF. DWG. <b>C-18998</b>	MODEL: <b>3132-STD</b>	<b>11/12/71</b>
TITLE: <b>INSTALL. - LOAD CELL</b>		DRAWING NO.	REV.
		<b>B-19113</b>	

REMOVED WIRE CODE	REMOVED NOTES	DESCRIPTION	DATE
REMOVED WIRE CODE	REMOVED NOTES	DESCRIPTION	DATE
REMOVED WIRE CODE	REMOVED NOTES	DESCRIPTION	DATE
REMOVED WIRE CODE	REMOVED NOTES	DESCRIPTION	DATE
REMOVED WIRE CODE	REMOVED NOTES	DESCRIPTION	DATE

Ⓟ

Ⓟ

REVISIONS

DESCRIPTION

DRAWN ON CAD

REMOVED WIRE CODE