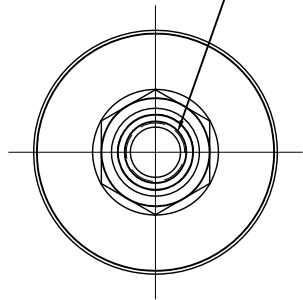
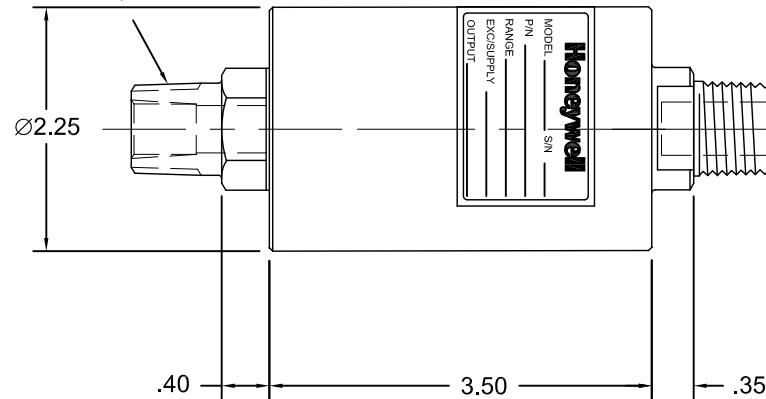


1/2-14 NPT MALE

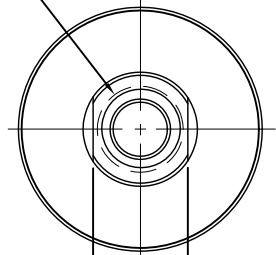
1/4-18 NPT FEMALE



3 COND., BELDEN
#9364, 20 GAGE VINYL
INSULATED CABLE,
2 FT. LONG



1/2-14 NPT



.87
WRENCH FLATS

FACTORY MUTUAL
 CONTROLLED DWG.
 NO CHANGES
 WITHOUT AUTHORIZATION

ANY CHANGES TO THIS DRAWING REQUIRES
NOTIFICATION OF FACTORY MUTUAL

SPECIFICATIONS

RANGE	0-21 PSIG THRU 0-500 PSIG
ACCURACY	±.25% F.S
COMPENSATED	60°F TO 160°F
OPERATING	0°F TO 195°F
GAIN SENSITIVITY	0.01%F.S./°F
BALANCE SHIFT	0.01%F.S./°F
CASE MAT'L	17-4 PH SS
INPUT:	MINIMUM POWER SUPPLY= 9.0V+0.021*RLOAD (ohm)
	MAXIMUM POWER SUPPLY= 32V+0.004*RLOAD (ohm)
	NOTE: RLOAD IS EXTERNAL LOAD RESISTANCE
OUTPUT:	4 TO 20 mA

WIRING CODE

COLOR	DESIGNATION
RED	(+) SUPPLY
BLACK	(+) OUTPUT
WHITE	CASE GROUND

IF THIS IS A PAPER COPY IT IS UNCONTROLLED. VERIFY REVISION BEFORE USE.

PROPRIETARY RIGHTS NOTICE: THIS DRAWING COVERS A PROPRIETARY ITEM AND IS THE PROPERTY OF HONEYWELL. THIS DRAWING IS NOT TO BE COPIED OR USED WITHOUT THE PERMISSION OF HONEYWELL.					
D	ECR 0043739, Updated input specifications	Arrigo			
01/05/2010					
C	ECN #06-009, Updated to meet new amplifier specs	Morris			BDR
01/14/2008					
REV	DESCRIPTION	REV BY	CHK BY	APV BY	
DLE	-	-	-	-	BDR
AUTOCAD		MFG:	ENG: 04/13/1999		
09/24/1980					
REV B	DO NOT SCALE				
HIST 506	.X ±.2	HONEYWELL SENSOTEC 2080 ARLINGATE LANE COLUMBUS, OHIO 43228 www.honeywell.com/sensing			
	.XX ±.02	MODEL 811 TRUE GAGE PRESSURE TRANSDUCER			
	.XXX ±.010	CODE IDENT NO. 51518 DOCUMENT NUMBER			
		SHEET	SIZE	000-1125-00	
		1 OF 1	A		