

Product Data Sheet

Product Datasheet 3HL Hydrogen Chloride Sensor

Document Purpose

The purpose of this document is to present the performance specification of the 3HL Hydrogen Chloride gas sensor.

This document should be used in conjunction with the Operating Principles (OP09) and the Product Safety Datasheet (PSDS 5).

The data provided in this document are valid at 20°C, 50% RH and 1013 mBar for 3 months from the date of sensor manufacture.

Output signal can drift below the lower limit over time. For guidance on the safe use of the sensor, please refer to the Operating Principles OP09.

Product Data Sheet

- Key Features & Benefits:**
- Robust, 3-Series packaging
 - Range of accessories available

Technical Specifications

MEASUREMENT

Operating Principle	3-electrode electrochemical
Measurement Range	0-50 ppm HCl
Maximum Overload	100 ppm HCl
Filter	None
Sensitivity*	0.75 ± 0.25 µA/ppm
Resolution	0.5 ppm
Response Time (T₉₀)*	< 120 s (typically <100 s)
Baseline Offset (clean air)	0 to +1 ppm equivalent
Zero Shift (+20°C to +40°C)	1.5 ppm equivalent
Repeatability	2% of signal
Linearity	Linear

ELECTRICAL

Recommended Load Resistor	33 Ω
Bias Voltage	+300 mV

MECHANICAL

Weight	22 g
Orientation	Any

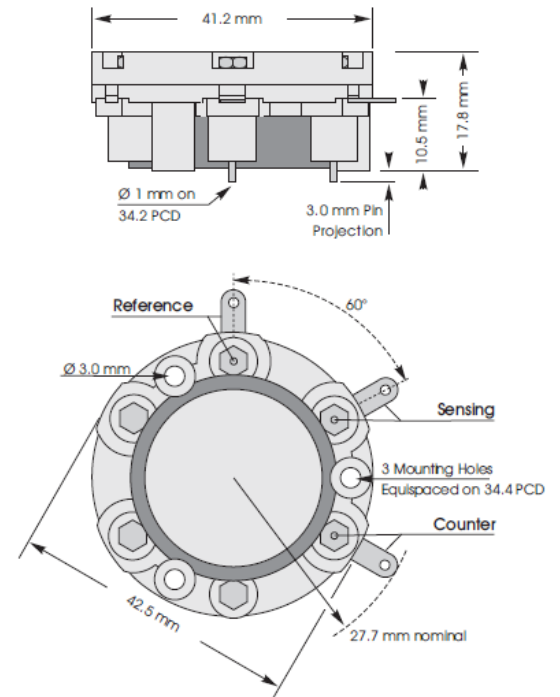
ENVIRONMENTAL

Operating Temperature Range	-20°C to +50°C
Recommended Storage Temp	0°C to 20°C
Operating Pressure Range	Atmospheric ± 10%
Operating Humidity Range	15 - 90% RH non-condensing

LIFETIME

Long Term Sensitivity Drift*	<2% signal loss/month
Expected Operating Life	Two years in air
Storage Life	6 months in CTL container

Product Dimensions



All dimensions in mm
 All tolerances ±0.15 mm unless otherwise stated
 3HL shown with side tags and gold pins

AVAILABLE OPTIONS

Sensor	Description	Part Number
3HL	With side tag and PCB pin connections	AL004-J00
3HL(S)	With side tag connection	AL004-000
3HL(G)	With gold-plated PCB pin connection	AL004-J00

IMPORTANT NOTE:

Soldering to the pin connections will seriously damage the sensor and invalidate the warranty.

* Specifications are valid at 20°C, 50% RH and 1013 mBar, using City Technology recommended circuitry. Performance characteristics outline the performance of sensors supplied within the first 3 months. Output signal can drift below the lower limit over time.

Product Data Sheet

Poisoning

CiTiceLs are designed for operation in a wide range of environments and harsh conditions. However, it is important that exposure to high concentrations of solvent vapours is avoided, both during storage, fitting into instruments and operation.

When using sensors with printed circuit boards (PCBs), degreasing agents should be used before the sensor is fitted. Do not glue directly on or near the CiTiceL as the solvent may cause crazing of the plastic.

Cross Sensitivity Table

Whilst CiTiceLs are designed to be highly specific to the gas they are intended to measure, they will still respond to some degree to various other gases. The table below is not exclusive and other gases not included in the table may still cause a sensor to react.

IMPORTANT NOTE : The cross sensitivity data shown below does not form part of the product specification and is supplied for guidance only. Values quoted are based on tests conducted on a small number of sensors and any batch may show significant variation. For the most accurate measurements, an instrument should be calibrated using the gas under investigation.

Gas	Concentration Used (ppm)	3HL (ppm HCl)
Carbon Monoxide, CO	300	< 3
Hydrogen Sulfide, H ₂ S	15	9 < x\$ < 30
Sulfur Dioxide, SO ₂	5	2.5 < x\$ < 4
Nitric Oxide, NO	35	0
Nitrogen Dioxide, NO ₂	5	< 1
Chlorine, Cl ₂	1	0
Hydrogen, H ₂	100	< 0.5
Hydrogen Chloride, HCl	10	0
Ethylene, C ₂ H ₄	100	0

SAFETY NOTE

This sensor is designed to be used in safety critical applications. To ensure that the sensor and/or instrument in which it is used, are operating properly, it is a requirement that the function of the device is confirmed by exposure to target gas (bump check) before each use of the sensor and/or instrument. Failure to carry out such tests may jeopardize the safety of people and property.

Every effort has been made to ensure the accuracy of this document at the time of printing. In accordance with the company's policy of continued product improvement City Technology Limited reserves the right to make product changes without notice. The products are always subject to a programme of improvement and testing which may result in some changes in the characteristics quoted. As the products may be used by the client in circumstances beyond the knowledge and control of City Technology Limited, we cannot give any warranty as to the relevance of these particulars to an application. It is the clients' responsibility to carry out the necessary tests to determine the usefulness of the products and to ensure their safety of operation in a particular application.