

Installation Instructions for the SS361RT/SS461R Bipolar Latching, Hall-Effect Digital Sensor ICs

ISSUE 2
50039726

GENERAL INFORMATION

CAUTION

ELECTROSTATIC DISCHARGE DAMAGE

This component is sensitive to electrostatic discharge (ESD). Take normal ESD precautions in handling this product to prevent ESD-induced damage and/or degradation

Failure to comply with these instructions may result in product damage



SOLDERING/ASSEMBLY

CAUTION

IMPROPER SOLDERING

- Ensure leads are adequately supported during any forming/shearing operation so that they are not stressed inside the plastic case.
- Limit exposure to high temperatures.
- Do not wave solder the SS361RT.

Failure to comply with these instructions may result in product damage.

SS361RT: Use an infrared reflow process with temperatures of 245 °C [473 °F] peak for 10 s max.

SS461R: PC board wave soldering temperature is 250 °C to 260 °C [482°F to 500 °F] peak for 3 s max.

Table 1. SS361RT/SS461R Absolute Maximum Ratings¹

Characteristic	Min.	Typ.	Max.	Unit
Supply voltage	-26.0	–	28.0	Vdc
Applied output voltage	-0.5	–	28.0	V
Output current	–	–	20	mA
Magnetic flux	–	–	no limit	Gauss

Note 1: Absolute maximum ratings are the extreme limits that the device will withstand without damage to the device. However, the electrical and mechanical characteristics are not guaranteed as the maximum limits (above recommended operating conditions) are approached, nor will the device necessarily operate at absolute maximum ratings.

Table 2. SS361RT/SS461R Performance Specifications (At 3 Vdc to 24 Vdc supply, 20 mA load, TA = -40 °C to 150 °C [-40 °F to 257 °F]) unless otherwise specified.

Characteristic	Condition	Min.	Typ.	Max.	Unit
Supply voltage: ¹					
SS461R	-40 °C to 150 °C [-40 °F to 302 °F]	3	–	24	Vdc
SS361RT	-40 °C to 125 °C [-40 °F to 257 °F]	3	–	24	
SS361RT	150 °C [302 °F]	3	–	12	
Supply current	Vsupply = 5 Vdc at 25 °C [77 °F]	–	4	6	mA
	Vsupply = 3 Vdc at 25 °C [77 °F]	–	3.5	5	
		–	–	8	
Vsat	at 15 mA, gauss >120	–	–	0.4	V
Output leakage current	Gauss >120	–	–	10	µA
Output switching time:					
rise	Vsupply = 12 Vdc at 25 °C [77 °F], RL = 1.6 KOhm, CL = 20 pF	–	–	1.5	µs
fall		–	–	1.5	
Operate	–	5	50	120	Gauss
Release	–	-120	-50	5	Gauss
Differential	–	50	100	170	Gauss
Operating temperature:					
SS461R	3 Vdc to 24 Vdc	-40 [-40]	–	150 [302]	°C [°F]
SS361RT	3 Vdc to 12 Vdc				
Storage temperature	–	-40 [-40]	–	150 [302]	°C [°F]

Note 1: See Figure 2.

NOTICE

The magnetic field strength (gauss) required to cause the switch to change state (operate and release) will be as specified in the magnetic characteristics. To test the switch against the specified magnetic characteristics, the switch must be placed in a uniform magnetic field.

NOTICE

Bipolar Hall-effect sensor ICs may have an initial output in either the ON or OFF state if powered up with an applied magnetic field in the differential zone (applied magnetic field >Brp and <Bop). Honeywell recommends allowing 10 µs for output voltage to stabilize after supply voltage has reached 5 Vdc.

Figure 1. Typical Magnetic Characteristics

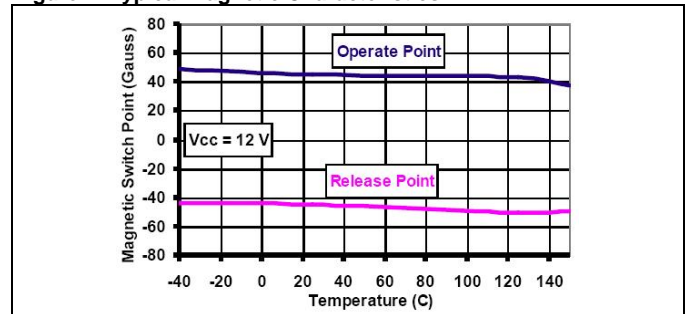


Figure 2. SS361RT Rated Supply Voltage

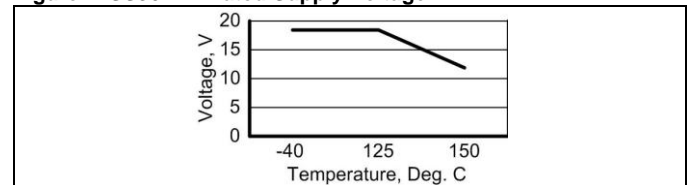


Figure 3. Mounting Dimensions (For reference only. mm/[in])

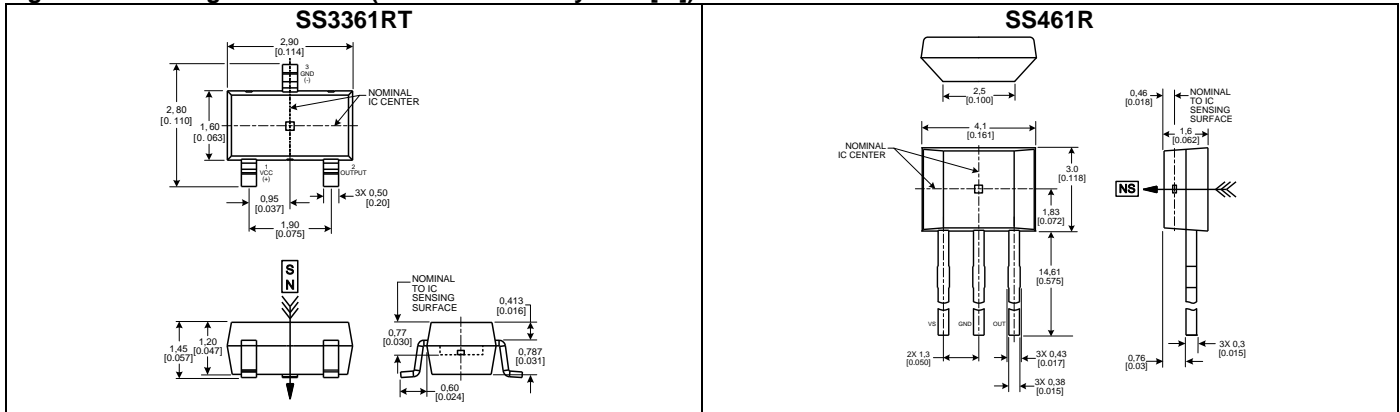
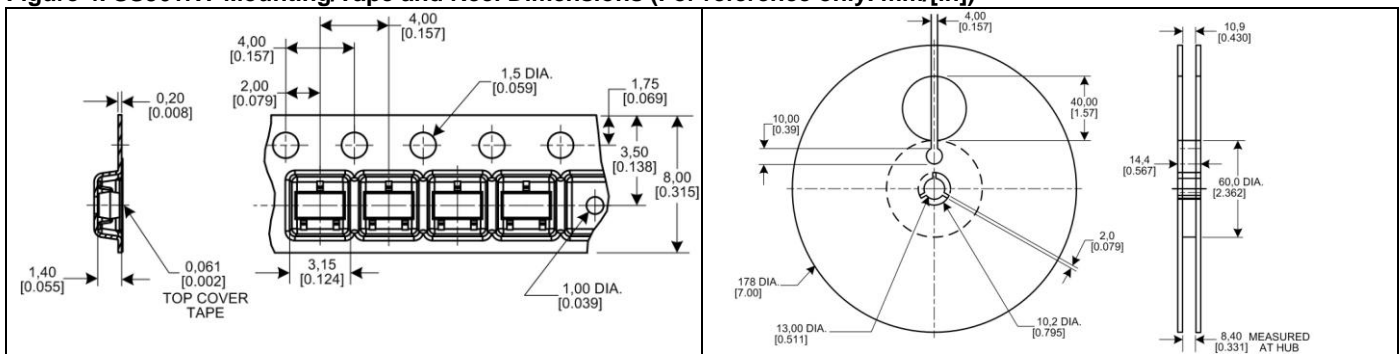


Figure 4. SS361RT Mounting/Tape and Reel Dimensions (For reference only. mm/[in])



⚠ WARNING
PERSONAL INJURY
 DO NOT USE these products as safety or emergency stop devices or in any other application where failure of the product could result in personal injury.
Failure to comply with these instructions could result in death or serious injury.

WARRANTY/REMEDY
 Honeywell warrants goods of its manufacture as being free of defective materials and faulty workmanship. Honeywell's standard product warranty applies unless agreed to otherwise by Honeywell in writing; please refer to your order acknowledgement or consult your local sales office for specific warranty details. If warranted goods are returned to Honeywell during the period of coverage, Honeywell will repair or replace, at its option, without charge those items it finds defective. **The foregoing is buyer's sole remedy and is in lieu of all other warranties, expressed or implied, including those of merchantability and fitness for a particular purpose. In no event shall Honeywell be liable for consequential, special, or indirect damages.**

While we provide application assistance personally, through our literature and the Honeywell web site, it is up to the customer to determine the suitability of the product in the application.

Specifications may change without notice. The information we supply is believed to be accurate and reliable as of this printing. However, we assume no responsibility for its use

SALES AND SERVICE
 Honeywell serves its customers through a worldwide network of sales offices, representatives and distributors. For application assistance, current specifications, pricing or name of the nearest Authorized Distributor, contact your local sales office or:

E-mail: info.sc@honeywell.com

Internet: www.honeywell.com/sensing

Phone and Fax:
 Asia Pacific +65 6355-2828
 +65 6445-3033 Fax
 Europe +44 (0) 1698 481481
 +44 (0) 1698 481676 Fax
 Latin America +1-305-805-8188
 +1-305-883-8257 Fax
 USA/Canada +1-800-537-6945
 +1-815-235-6847
 +1-815-235-6545 Fax