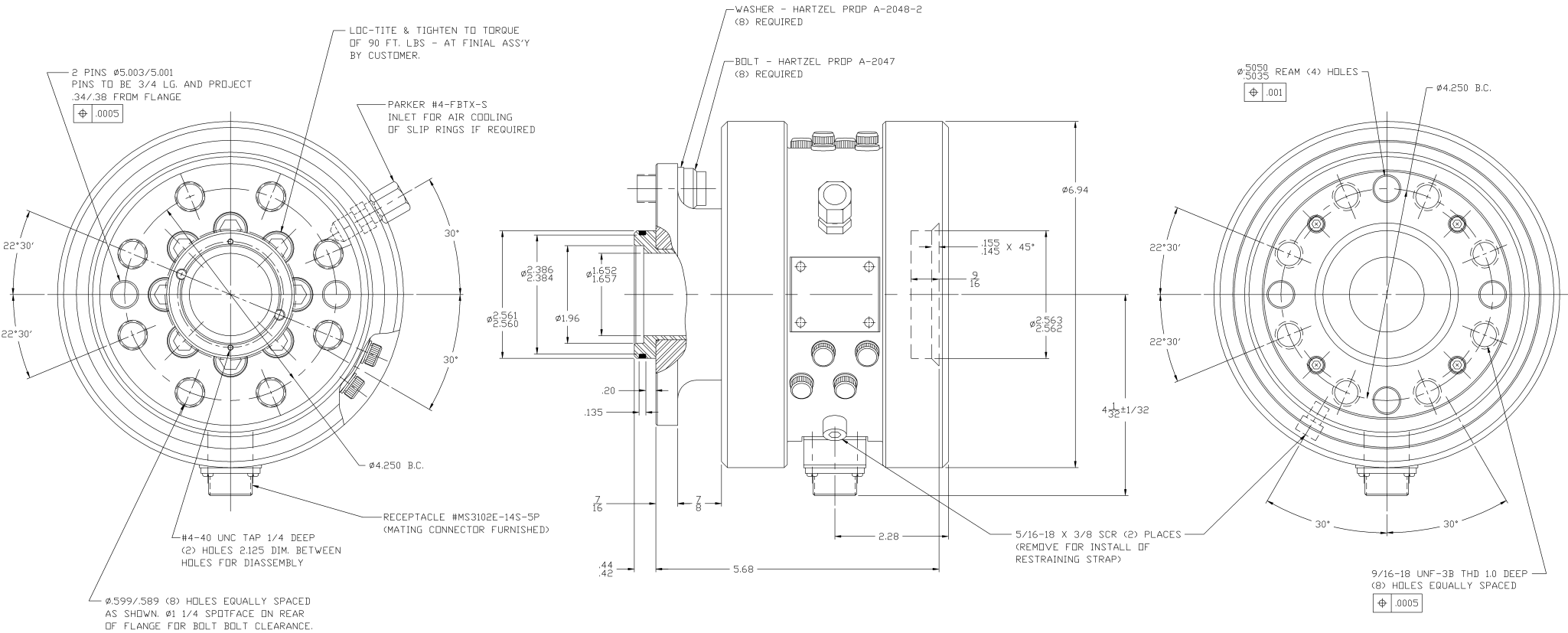


"NOTICE TO PERSONS RECEIVING THIS DRAWING AND/OR TECHNICAL INFORMATION"  
 Lebow Products Corp. proprietary rights to the technical details herein, the drawing and/or technical information, shall be maintained in confidence for engineering information only and may not be reproduced or used for manufacture, copying, printing or otherwise without direct written permission from Lebow Products to the user. The drawing and/or technical information is the property of Lebow Products and is loaned for mutual assistance to be returned when its purpose has been served.



NOTES:  
 1.) GROUND TEST ONLY  
 2.) GROUND RATED

SPECIFICATIONS:  
 OUTPUT: 15 MV.V NOM.  
 SPEED: 3500 R.P.M. MAX.

Ⓟ

REV. NO.	PART NO.	DESCRIPTION	REV.
VSR M-27473		Lebow Products Troy, Michigan	
UNLESS OTHERWISE SPECIFIED			
LINEAR DIMENSIONS ARE IN INCHES		REMOVE ALL BURRS & SHARP EDGES	
ANGULAR DIMENSIONS ARE IN DEGREES		SURFACE FINISH 125 ✓	
DIMENSION LIMITS HELD AFTER PLATING			
TOLERANCES			
DRILL Holes	TWO PLACE DECIMALS	THREE PLACE DECIMALS	ANGLES
±.001	±.0005	±.0002	+0.30°
SCALE	REF. SVGS	FRACTIONAL DIMENSIONS	DATE
NONE	D-27474	1/16	3/15/79
TITLE:		MODEL	REV.
INSTALLATION-TURBO-PROP TORQUE PICK-UP		1242-108	
ECON. NO.		DRAWING NO.	REV.
C B SYM.		D-27473	