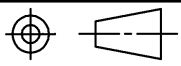
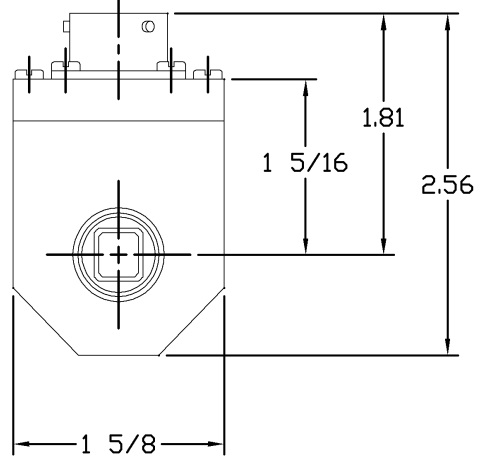
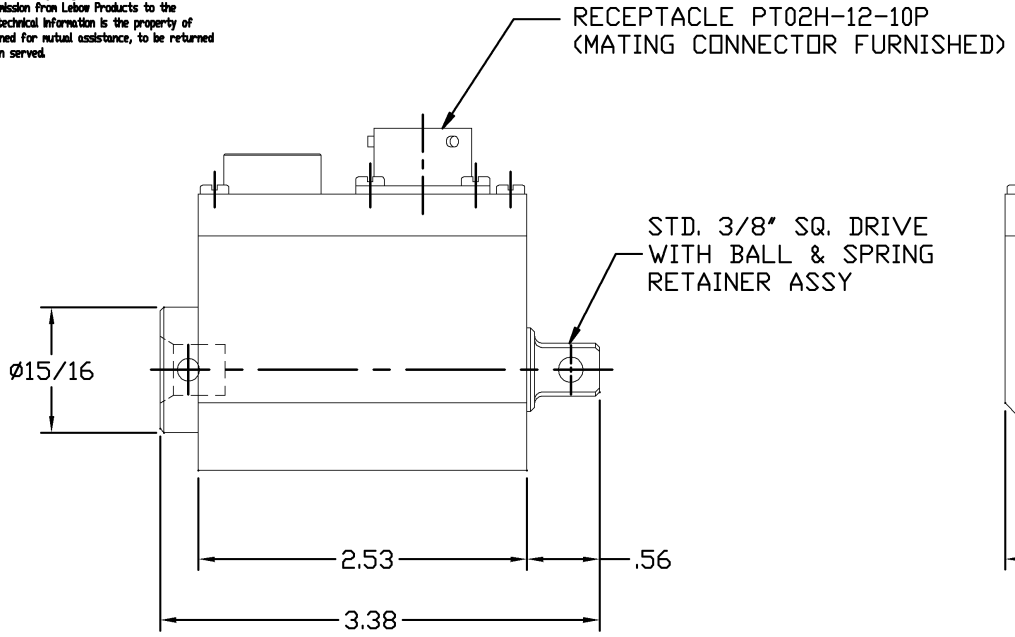


"NOTICE TO PERSONS RECEIVING THIS DRAWING AND/OR TECHNICAL INFORMATION"
 Lebow Products claims proprietary rights to the material disclosed hereon. This drawing and/or technical information is issued in confidence for engineering information only and may not be reproduced or used to manufacture anything shown or referred to hereon without direct written permission from Lebow Products to the user. This drawing and/or technical information is the property of Lebow Products and is loaned for mutual assistance, to be returned when its purpose has been served.

DO NOT SCALE DRAWING	B-35727	REV.
ALL CHANGES TO DRAWING MUST BE DONE ON CAD	 THIRD ANGLE PROJECTION	



DET. NO.	PART NO.	DESCRIPTION	REQ'D.
		Lebow Products Lebow Products Troy, Michigan	
UNLESS OTHERWISE SPECIFIED LINEAR DIMENSIONS ARE IN INCHES REMOVE ALL BURRS & ANGULAR DIMENSIONS ARE IN DEGREES SHARP EDGES DIMENSION LIMITS HELD AFTER PLATING SURFACE FINISH 125 ✓			
TOLERANCES		DR. BY:	ENGR.
DRILLED HOLES -000 +007	TWO PLACE DECIMALS ± .010	MGJ	
THREE PLACE DECIMALS ± .005	ANGLES ± 0 '30'	DATE:	DATE:
SCALE: NONE	REF. DWG. B-35726	5/16/01	
FRACTIONAL DIMENSIONS ± 1/64	MATL. -----	MODEL: 1254-303	
TITLE: O.D. DRAWING		DRAWING NO. B-35727	REV.

ADDED BATTERY COVER 3/15/02

DESCRIPTION

REVISIONS

DATE	
APPV'D.	
CHG'D.	MJ
ECN NO.	
SYM.	A