

Oxygen Sensor OOI101-1

Use the advantages:

- Accurate and reliable response
- Excellent selectivity against CO₂
- Excellent signal stability
- High product quality
- Short delivery times
- Technical support
- Made in Germany
- Certified quality management system
- 15 months warranty



„We keep your devices operating at their best.“

EnviteC has been developing and manufacturing highly specialized products for medical applications and innovative products within the gas measurement technology for environmental, industrial and safety applications.

The company trusts in the quality of advanced production methods and processes. The result are oxygen sensors for industrial gas analysers, which share the same extraordinary quality, excellent signal stability and reliable response for accurate readings. These sensors for measuring the partial pressure of oxygen are designed to be used in devices for monitoring gas supply equipment in industry and hospitals (not for personal protection nor for monitoring medical breathing air in direct contact with patients). EnviteC's research and development activities are consistently aligned to customer and market needs – identification and optimization of sustainable product solutions are the main concerns of the company.

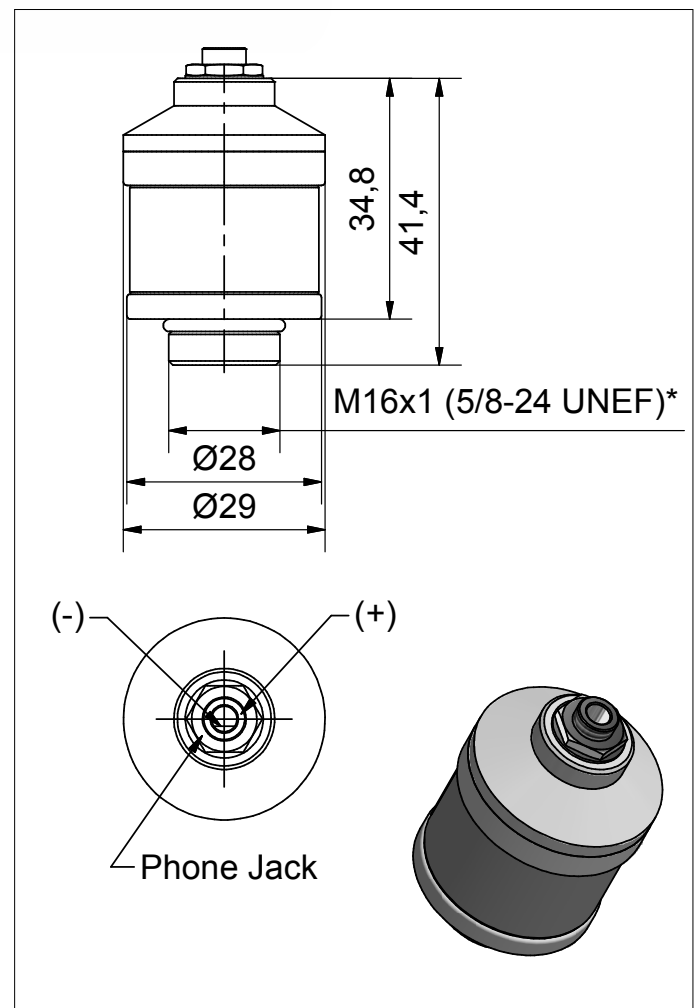
From standard sensors to customized sensors

Experienced EnviteC engineers analyze customer requirements. This input is used for different standard and OEM applications, and ongoing support is provided right up to the final integrator in the solution. EnviteC designs customized sensors characterized by a maximum possible degree of precision.

For more information please contact us!

We look forward to assisting you either on the phone or in a personal talk.

Mechanical drawing (All dimensions in mm)



General tolerances ISO 2768-c

*Intermediate thread: Metric / Unified Extra Fine

Technical Specifications OOI101-1

| | |
|--|---|
| Measurement range | 0 % ... 100 % oxygen (at atmospheric pressure) |
| Nominal sensor lifetime | ≥ 500 000 % volume oxygen hours |
| Output in ambient air | 7 mV ... 13 mV |
| Electrical interface | 3.5 mm mono phone Jack |
| Repeatability | < 1 % volume O ₂ at constant temperature and pressure |
| Linearity error | < 3 % relative |
| Response time | < 5 s to 90 % of final value |
| Zero offset voltage | < 40 µV in 100 % nitrogen |
| Cross interference | < 0.1 % vol. O ₂ response to: 15 % CO ₂ balance N ₂ ; 10 % CO balance N ₂ |
| Influence of humidity | -0.03 % rel. per % RH at 25 °C |
| Pressure range | 0.6 bar ... 2 bar (ppO ₂ 0 ... 1250 mbar O ₂) |
| Influence of pressure | proportional to change in oxygen partial pressure |
| Influence of mechanical shock | < 1 % relative after a fall from 1 m |
| Operating temperature | 0 °C ... +50 °C |
| Temperature compensation | built-in NTC compensation |
| Effect of temperature compensation (steady state) | between +25 °C and +40 °C: 3 % relative error between 0 °C and +50 °C: 8 % relative error |
| Operating humidity | 0 % ... 99 % RH non-condensing |
| Long term output drift | < 1 % volume oxygen per month typically < -15 % relative over lifetime |
| Storage temperature | -20 °C ... +50 °C |
| Recommended storage | +5 °C ... +15 °C |
| Recommended load | ≥ 10 kOhm |
| Warm-up time | < 30 minutes, after replacement of sensor |
| Weight | approximately 28 grams |
| Part number | 01-00-0073 |

All specifications are applicable at standard conditions:
1013 hPa, 25 °C dry ambient air



Certified Quality Management

EnviteC is maintaining a quality management system, which meets the requirements of EN ISO 13485 for medical devices.

EnviteC-Wismar GmbH a Honeywell Company

Alter Holzhafen 18, 23966 Wismar, Germany

Phone: +49 (0)3841-360-1

Phone: +49 (0)3841-360-200

Fax: +49 (0)3841-360-222

Internet: www.envitec.com

Email: info@envitec.com

Doc. No. 001-05-OOI101_1-0

April 2017

Technical information is subject
to change without notice!

© 2017 Honeywell International Inc.

EnviteC by Honeywell reserves the
right to make changes in product
specifications and adjust its production
at any time and without notice.

ENVITEC
by Honeywell