

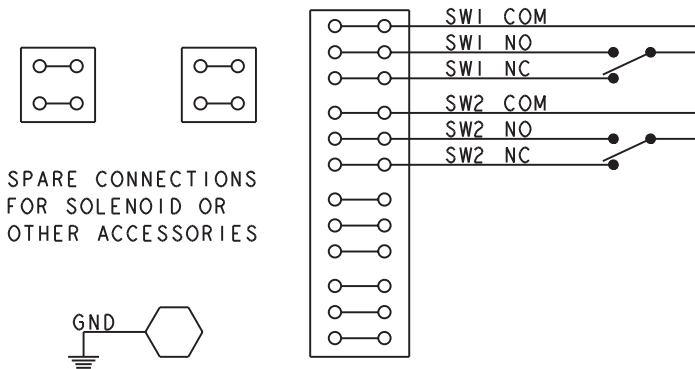
## Wiring Instructions for the MICRO SWITCH VPX Series Valve Position Indicator for Hazardous Locations

Issue A

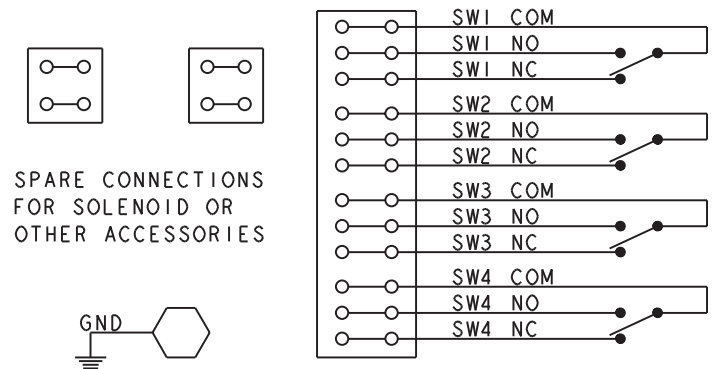
### 32325422

### WIRING DIAGRAMS

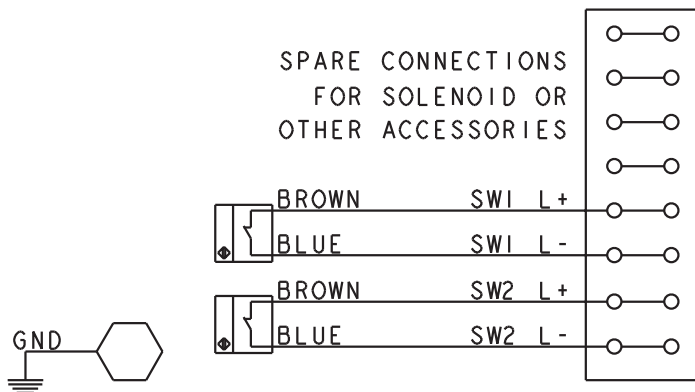
**Figure 1. Two (2) electromechanical switches option**



**Figure 2. Four (4) electromechanical switches option**



**Figure 3. Two (2) prox switches option**



## Warranty/Remedy

Honeywell warrants goods of its manufacture as being free of defective materials and faulty workmanship during the applicable warranty period. Honeywell's standard product warranty applies unless agreed to otherwise by Honeywell in writing; please refer to your order acknowledgement or consult your local sales office for specific warranty details. If warranted goods are returned to Honeywell during the period of coverage, Honeywell will repair or replace, at its option, without charge those items that Honeywell, in its sole discretion, finds defective. **The foregoing is buyer's sole remedy and is in lieu of all other warranties, expressed or implied, including those of merchantability and fitness for a particular purpose. In no event shall Honeywell be liable for consequential, special, or indirect damages.**

While Honeywell may provide application assistance personally, through our literature and the Honeywell web site, it is buyer's sole responsibility to determine the suitability of the product in the application.

Specifications may change without notice. The information we supply is believed to be accurate and reliable as of this writing. However, Honeywell assumes no responsibility for its use.

## Find out more

Honeywell serves its customers through a worldwide network of sales offices and distributors. For application assistance, current specifications, pricing or name of the nearest Authorized Distributor, contact your local sales office.

To learn more about Honeywell's sensing and switching products,

call **+1-815-235-6847** or  
**1-800-537-6945**,

visit **sensing.honeywell.com**, or e-mail inquiries to

**info.sc@honeywell.com**

Honeywell Sensing and Control  
a division of Honeywell International Inc.  
11 West Spring Street  
Freeport, IL 61032

## Honeywell Sensing and Internet of Things

9680 Old Bailes Road  
Fort Mill, SC 29707  
honeywell.com

The Honeywell logo is displayed in a bold, red, sans-serif font.