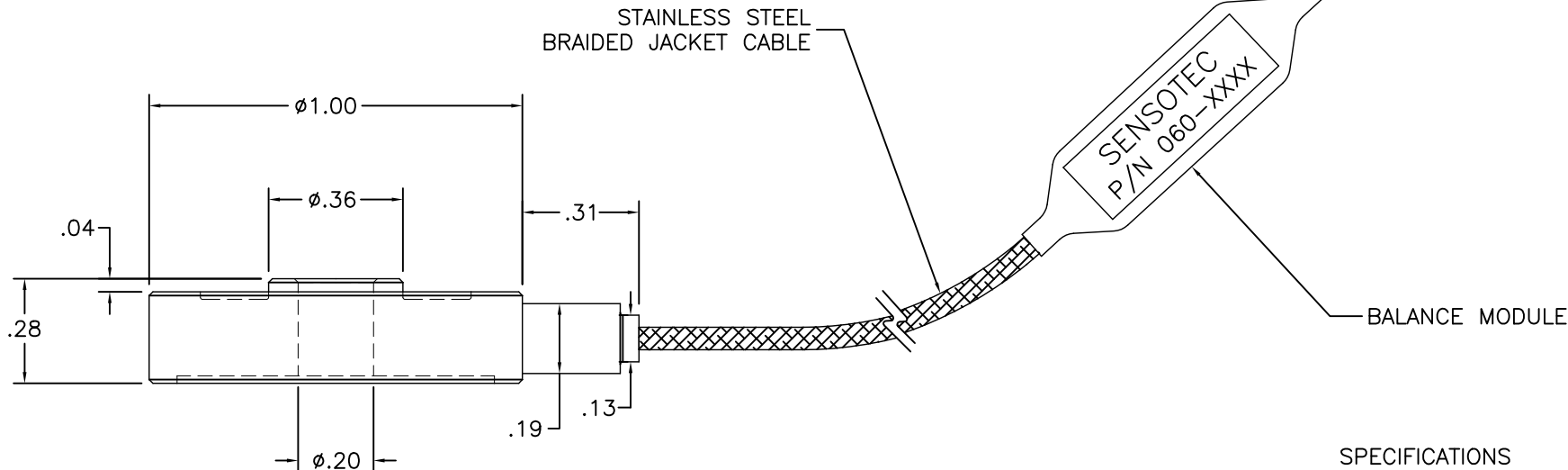


HONEYWELL PART NUMBER
SEE TABLE

REV	DOCUMENT	CHANGED BY	CHECK
A	0043022	JDS 11/03/09	SDG

30 AWG, TEFLON INSULATED
TWISTED LEADS
5 FT TOTAL CABLE LENGTH



UNAMPLIFIED

COLOR	DESIGNATION
RED	(+)EXCITATION
BLACK	(-)EXCITATION
GREEN	(-)OUTPUT
WHITE	(+)OUTPUT

SPECIFICATIONS

AVAILABLE RANGES:	SEE TABLE
EXCITATION:	10 VDC
OUTPUT:	2 mV/V
NONLINEARITY:	± .5% F.S.
HYSTERESIS:	± .5% F.S.
COMPENSATED TEMPERATURE:	60°F TO 160°F
TEMPERATURE EFFECT:	
ZERO:	.005% F.S./°F
SPAN:	.010% Rdg./°F
BRIDGE RESISTANCE:	350 ohms
MATERIAL:	17-4 PH SS

-13	500 GRAMS
-12	3000 GRAMS
-11	200 N (44.96 LBS)
-10	50 N (11.24 LBS)
-09	20 N (4.49 LBS)
-08	N/A
-07	100 N (22.48 LBS)
-06	10 LBS
-05	5 LBS
-04	500 N (112 LBS)
-03	100 LBS
-02	50 LBS
060-1136-01	25 LBS

SENSOTEC PART NUMBER	AVAILABLE RANGES
-------------------------	---------------------

DESIGN UNITS:	INCH
TOLERANCES UNLESS NOTED:	
NO PLACES	X ± -
ONE PLACE	.X ± .1
TWO PLACE	.XX ± .01
THREE PLACE	.XXX ± .005
ANGLES	X ± .5°

THIRD ANGLE PROJECTION

DRAWN	DRS	09/15/1999
CHECK	RAF	09/23/1999
THIS DRAWING COVERS A PROPRIETARY ITEM AND IS THE PROPERTY OF HONEYWELL. THIS DRAWING IS NOT TO BE COPIED OR USED WITHOUT THE PERMISSION OF HONEYWELL.		
INTERPRET PER ASME Y14.5M-1994 OTHER HONEYWELL ENGINEERING STANDARDS MAY APPLY		
AUTOCAD		

Honeywell				
TITLE		ODD, MODEL D (FOIL)		
		1.00" O.D., LOAD CELL		
SIZE	TYPE	CAGE CODE	DRAWING NAME	REV
B	E	51518	000-0908-00	A
SCALE	-		SHEET	1 of 1