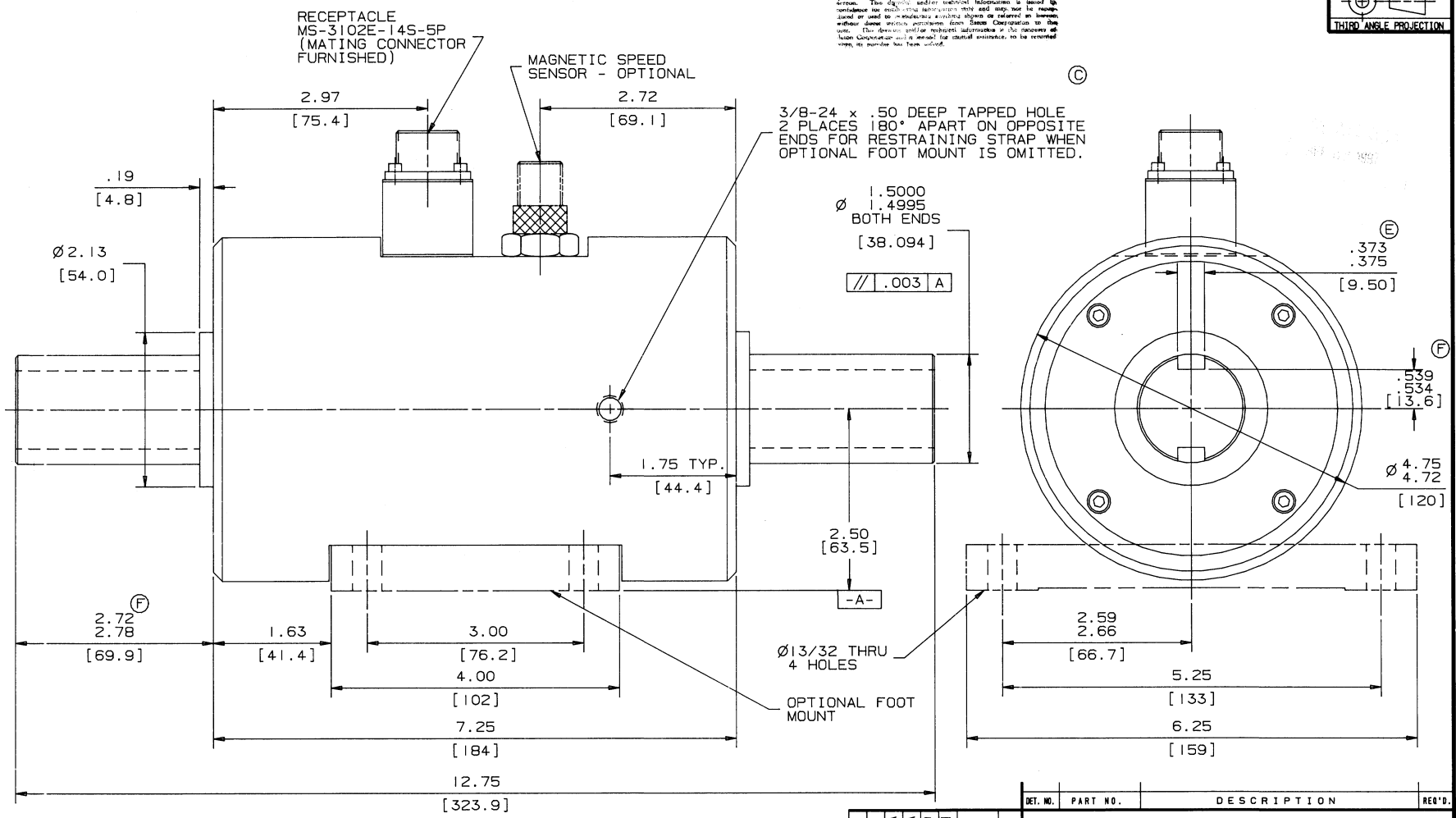



"NOTICE TO PERSONS RECEIVING THIS DRAWING AND/OR TECHNICAL INFORMATION"
 Eaton Corporation retains all rights in the material described herein. This drawing and/or technical information is issued to you for your use only and may not be reproduced or used in any manner without the express written permission of Eaton Corporation. The design and/or technical information is the property of Eaton Corporation and will remain the property of Eaton Corporation, to be returned to you, in duplicate, upon request.



CAPACITY-----2K, 5K, 10K IN-LBS
 OVERLOAD CAPACITY---300% AT 2K & 5K IN-LBS & 200% AT 10K IN-LBS
 OUTPUT-----2.0 mV/VOLT NOMINAL
 SPEED-----22,000 R.P.M. KLUBER GREASE PACK BEARINGS (B)
 FOR ADDITIONAL SPECIFICATIONS SEE EATON/LEBOW SPEC. SHEET S-1800

NOTES
 1 ALL DIMENSIONS IN BRACKETS ARE IN MILLIMETERS AND ARE PURELY MATHEMATICAL CALCULATIONS FROM STANDARD ENGLISH DIMENSIONS. (A)
 2 DYNAMICALLY BALANCE WITHIN .02 IN. OZ. UPON REQUEST ONLY.

REVISED DWG	DESCRIPTION	DATE
559	REVISED DWG	
557	CORRECTED SPEC. NO.	
557	WAS STANDARD	
557	WAS MODEL 1805-F01	
557	WAS 3/16 3/16 WAS 3/16 3/16	
557	WAS 5/7 69.9 WAS 7.1	
	APPV'D.	
	CHG'D.	
	ECN NO.	
	SYM.	

DET. NO.	PART NO.	DESCRIPTION	REQ'D.
		 Eaton Corporation Physical Measurement Products Troy, Michigan	
UNLESS OTHERWISE SPECIFIED LINEAR DIMENSIONS ARE IN INCHES REMOVE ALL BURRS & ANGULAR DIMENSIONS ARE IN DEGREES SHARP EDGES DIMENSION LIMITS HELD AFTER PLATING SURFACE FINISH 125			
TOLERANCES			
DRILLED HOLES - .005 + .007	TWO PLACE DECIMALS + .010	THREE PLACE DECIMALS + .005	ANGLES ± 30°
SCALE: 1 : 1	REF. DWG. D-31216 R11-0021	JOB NO. 1805	MAT'L.
TITLE OUTER DIMENSION ROTARY TRANSFORMER TORQUE SENSOR			DRAWING NO. C-1805-D