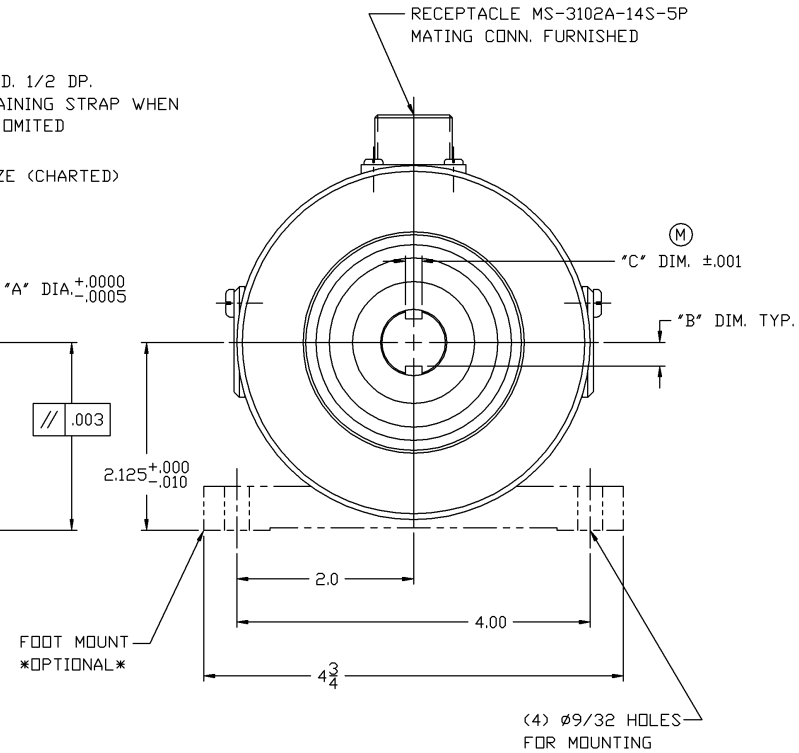
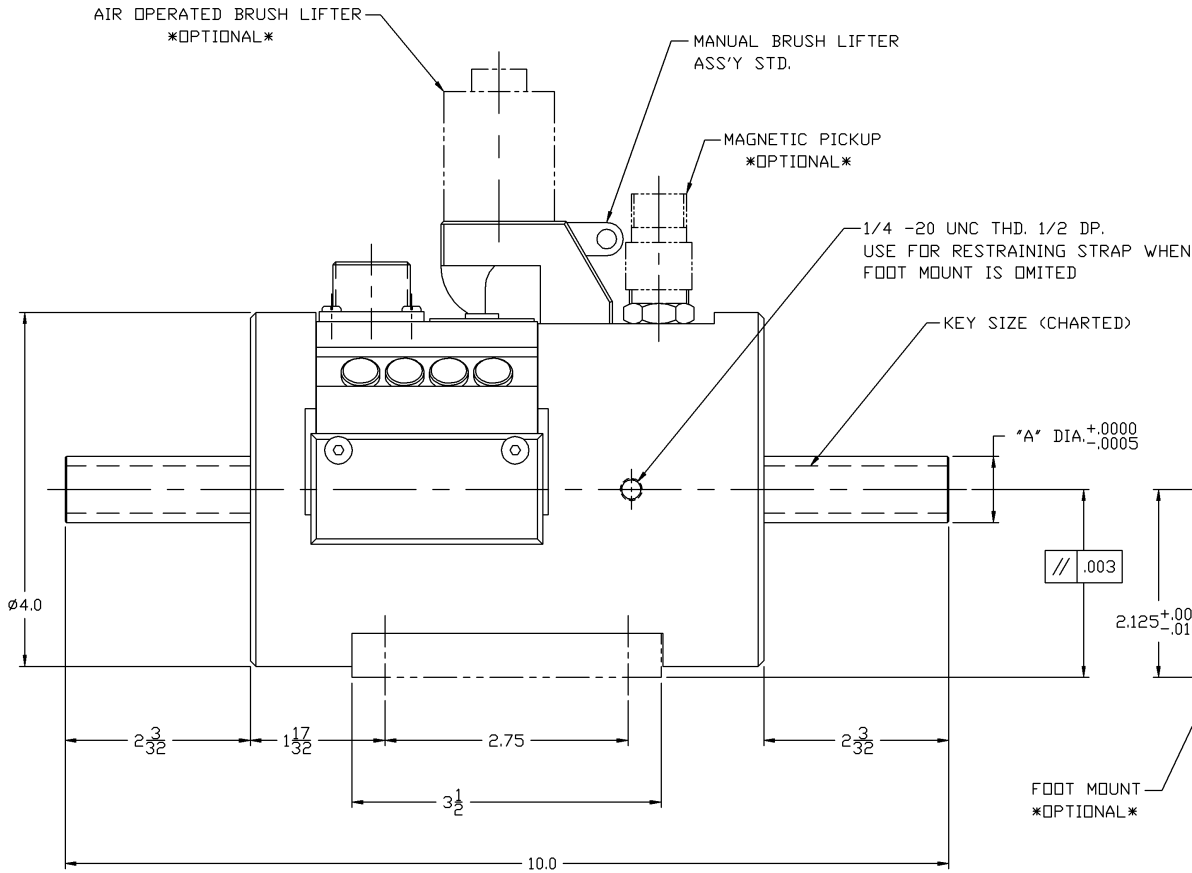


| | | |
|--|------------------------|------|
| DO NOT SCALE DRAWING | B-1104-D | REV. |
| ALL CHANGES TO DRAWING MUST BE DONE IN CAD | THIRD ANGLE PROJECTION | |

"NOTICE TO PERSONS RECEIVING THIS DRAWING AND/OR TECHNICAL INFORMATION"
 Lebow Products claims proprietary rights to the material disclosed herein. This drawing and/or technical information is issued in confidence for engineering information only and may not be reproduced or used to manufacture anything shown or referred to herein without direct written permission from Lebow Products to the user. This drawing and/or technical information is the property of Lebow Products and is loaned for mutual assistance, to be returned when its purpose has been served.



SPEED: 9000 R.P.M. MAX.

(M)

| MODEL # | CAP. IN. LBS. | "A" DIA. | "B" DIM. | "C" DIM. | KEY SIZE |
|----------|---------------|----------|-----------|----------|--------------|
| 1104-400 | 400 | .750 | .264/.269 | .1875 | 3/16 X 1 3/4 |
| 1104-2K | 2000 | 1.000 | .354/.359 | .250 | 1/4 X 1 3/4 |
| 1104-1K | 1000 | 1.000 | .354/.359 | .250 | 1/4 X 1 3/4 |
| 1104-500 | 500 | 1.000 | .354/.359 | .250 | 1/4 X 1 3/4 |
| 1104-200 | 200 | .750 | .264/.269 | .1875 | 3/16 X 1 3/4 |
| 1104-100 | 100 | .750 | .264/.269 | .1875 | 3/16 X 1 3/4 |
| 1104-50 | 50 | .750 | .264/.269 | .1875 | 3/16 X 1 3/4 |

| REV. NO. | PART NO. | DESCRIPTION | REV. |
|---|---------------------------------|-------------------------------------|----------------------------------|
| | | Lebow Products | Lebow Products Troy, Michigan |
| UNLESS OTHERWISE SPECIFIED LINEAR DIMENSIONS ARE IN INCHES ANGULAR DIMENSIONS ARE IN DEGREES DIMENSION LIMITS HELD AFTER PLATING REMOVE ALL BURRS & SHARP EDGES SURFACE FINISH 125 <input checked="" type="checkbox"/> | | | |
| TOLERANCES | | | |
| DRILLED HOLES $\pm .007$ | TWO PLACE DECIMALS $\pm .00$ | THREE PLACE DECIMALS $\pm .000$ | ANGLES $\pm 0' 30"$ |
| SCALE: NONE | REF. DIM: C-12812 | FRACTIONAL DIMENSIONS $\pm 1/64$ | MATL: - |
| DATE: M/J | APPR'D. M/J | CHG'D. CF | ECN NO. 5203 |
| TITLE: O. D. | | | DRAWING NO. B-1104-D |